



PARTS CATALOGUE

YZF-R25 (2YD1) MALAYSIA

YZF-R25
PARTS CATALOGUE
©2015 by Yamaha Motor Co., Ltd.
1st edition, January 2015
All rights reserved.
Any reprinting or unauthorized use
without the written permission of
Yamaha Motor Co., Ltd.
is expressly prohibited.
Printed in Japan.

FOREWORD

This Parts Catalogue is related to the parts for the model(s) on the cover page. When you are ordering replacement parts, please refer to this Parts Catalogue and quote both part numbers and part names correctly.

1. Modifications or additions which have been made after the issue of the Parts Catalogue will be announced in the Parts News.

It is advisable that you make the necessary corrections to the Parts Catalogue according to the Parts News.

2. Abbreviations

The following abbreviations are used in this Parts Catalogue.

“UR” Use specified parts number.

“UN” Use as many as needed.

“AP” Alternate Parts

“LM” Locally Made (Parts need to be ordered locally)

“F#” Frame No. (Applicable machine No.)

“O/S” Over Size

3. The number of components for assembly

- Parts, which are to be supplied in an assembly, are listed with a dot (.) in front of the part name as shown below.
- The numeral appearing to the right of each component part indicates the quantity of parts for each assembly unit.

PART NO.	DESCRIPTION	Q'TY	REMARKS
2F5-83310-60	FRONT FLASHER LIGHT ASSY	2	
115-83311-60	.BULB (6V-18W)	1	

4. Applicable colours of graphics are represented in the “REMARKS” as shown below.

PART NO.	DESCRIPTION	Q'TY	REMARKS
2N4-24110-00-X5	FUEL TANK COMP.	2	MXR
3J1-24240-10	.GRAPHIC, FUEL TANK	1	FOR MXR

5. Note that the illustrations for reference in finding parts numbers are not to be used for assembling. When assembling, please use the applicable service manual.

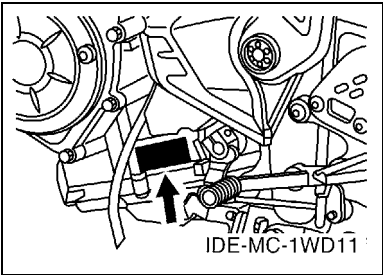
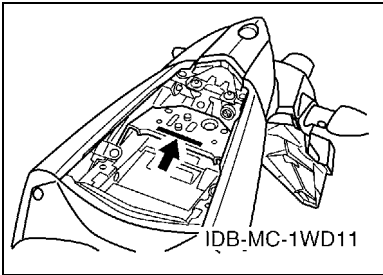
6. The asterisk (*) before a reference number indicates modified items after the first edition.

FOREWORD

7. Applicable Serial No.

Frame Serial No.

Engine Serial No.



8. Applicable Colour Code (The (*) mark shows Model colour.)

Abbreviation	Colour Name	Colour Code
DPBM15	DEEP PURPLISH BLUE METALLIC 15	1329
DPBMC(*)	DEEP PURPLISH BLUE METALLIC C	0564
LGB	LOW GLOSS BLACK	0098
MBL2	MAT BLACK 2	0582
MS1	MAT SILVER 1	1160
SMX(*)	BLACK METALLIC X	0903
VRC1(*)	VIVID RED COCKTAIL 1	0121
WM6	WHITE METALLIC 6	1124

9. Applicable Starting Serial No.

Frame Serial No.

Serial No.	Name Of Q'ty Column	Model Code

Engine Serial No.

Serial No.	Name Of Q'ty Column	Model Code

CONTENTS

ENGINE

CYLINDER HEAD	1
CRANKSHAFT & PISTON	3
VALVE	5
CAMSHAFT & CHAIN	6
WATER PUMP	7
RADIATOR & HOSE	8
OIL PUMP	9
INTAKE	10
EXHAUST	12
CRANKCASE	13
CRANKCASE COVER 1	14
STARTER CLUTCH	15
CLUTCH	16
TRANSMISSION	17
SHIFT CAM & FORK	19
SHIFT SHAFT	20

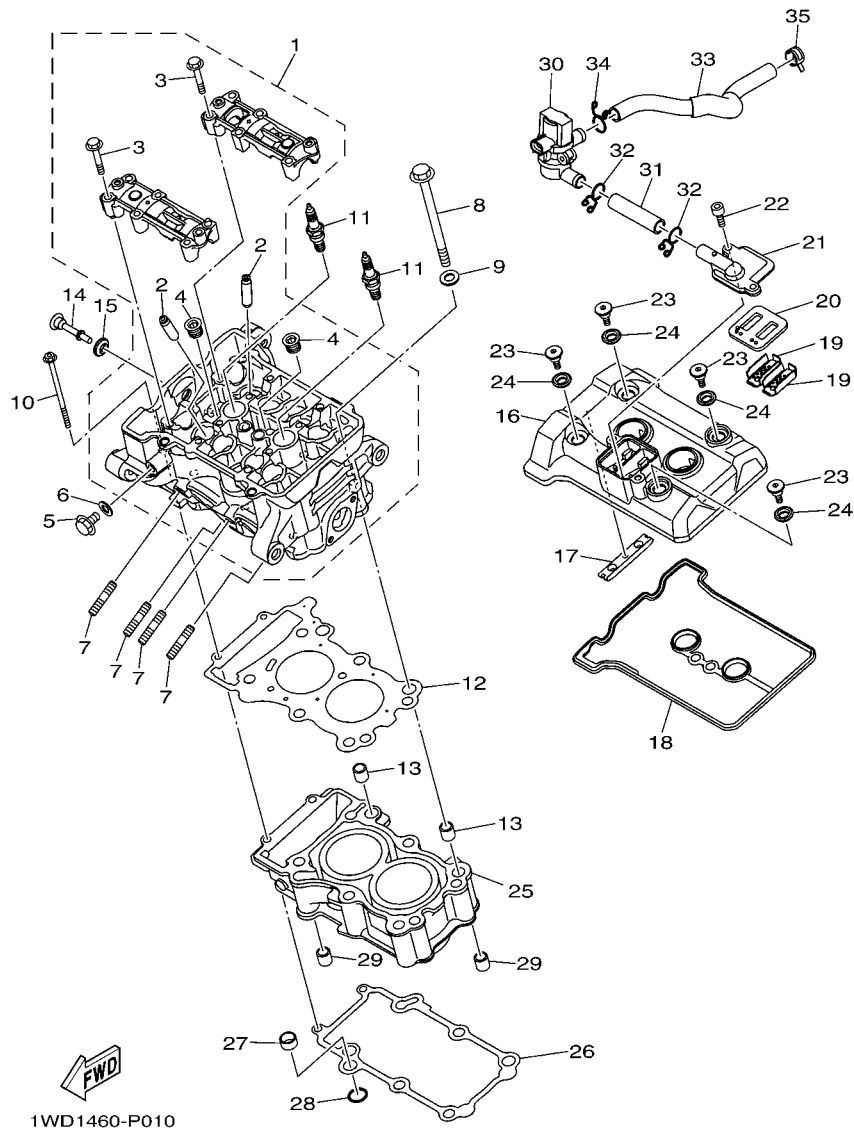
CHASSIS

FRAME	21
FENDER	23
SIDE COVER	25
REAR ARM & SUSPENSION	27
STEERING	28
FRONT FORK	29
FUEL TANK	31
SEAT	34
FRONT WHEEL	35
FRONT BRAKE CALIPER	36
REAR WHEEL	37
REAR BRAKE CALIPER	39
STEERING HANDLE & CABLE	40
FRONT MASTER CYLINDER	41
STAND & FOOTREST	42
REAR MASTER CYLINDER	44
WINDSHIELD	45
COWLING 1	47
GENERATOR	50
STARTING MOTOR	51
FLASHER LIGHT	52
METER	53
HEADLIGHT	54

TAILLIGHT	55
HANDLE SWITCH & LEVER	56
ELECTRICAL 1	57
ELECTRICAL 2	58

INDEX

NUMERICAL INDEX	60
-----------------------	----



1WD1460-P010

FIG. 1 CYLINDER HEAD

REF. NO.	PART NO.	DESCRIPTION	2YD1				REMARKS
1	1WD-E1102-10	CYLINDER HEAD ASSY	1				
2	1WD-E1133-10	.GUIDE, VALVE 1	8				
3	90105-06027	.BOLT, FLANGE	12				
4	90340-12813	.PLUG, STRAIGHT SCREW	2				
5	95022-08012	BOLT, FLANGE	1				
6	90430-08119	GASKET	1				
7	95612-08625	BOLT, STUD	4				
8	1WD-E1361-00	BOLT, CYLINDER HOLDING 1	6				
9	90201-10845	WASHER, PLATE	6				
10	90110-06870	BOLT, HEXAGON SOCKET HEAD	2				
11	94700-00318	PLUG, SPARK (NGK R CR9E)	2				
12	1WD-E1181-00	GASKET, CYLINDER HEAD 1	1				
13	99530-14016	PIN, DOWEL	2				
14	90109-06898	BOLT	1				
15	1WD-E111G-00	RUBBER, MOUNT 1	1				
16	1WD-E1191-00	COVER, CYLINDER HEAD 1	1				
17	1WD-E2241-00	GUIDE, STOPPER 2	1				
18	1WD-E1193-00	GASKET, HEAD COVER 1	1				
19	5VY-1482K-00	PLATE	2				
20	1WD-E4890-00	REED VALVE ASSY	1				
21	1WD-E4899-00	CAP, CASE	1				
22	91312-06020	BOLT	2				
23	90109-06899	BOLT	4				
24	1WD-E111G-00	RUBBER, MOUNT 1	4				
25	1WD-E1311-00	CYLINDER 1	1				
26	1WD-E1351-00	GASKET, CYLINDER	1				
27	5NL-12564-00	PIPE, WATER	1				

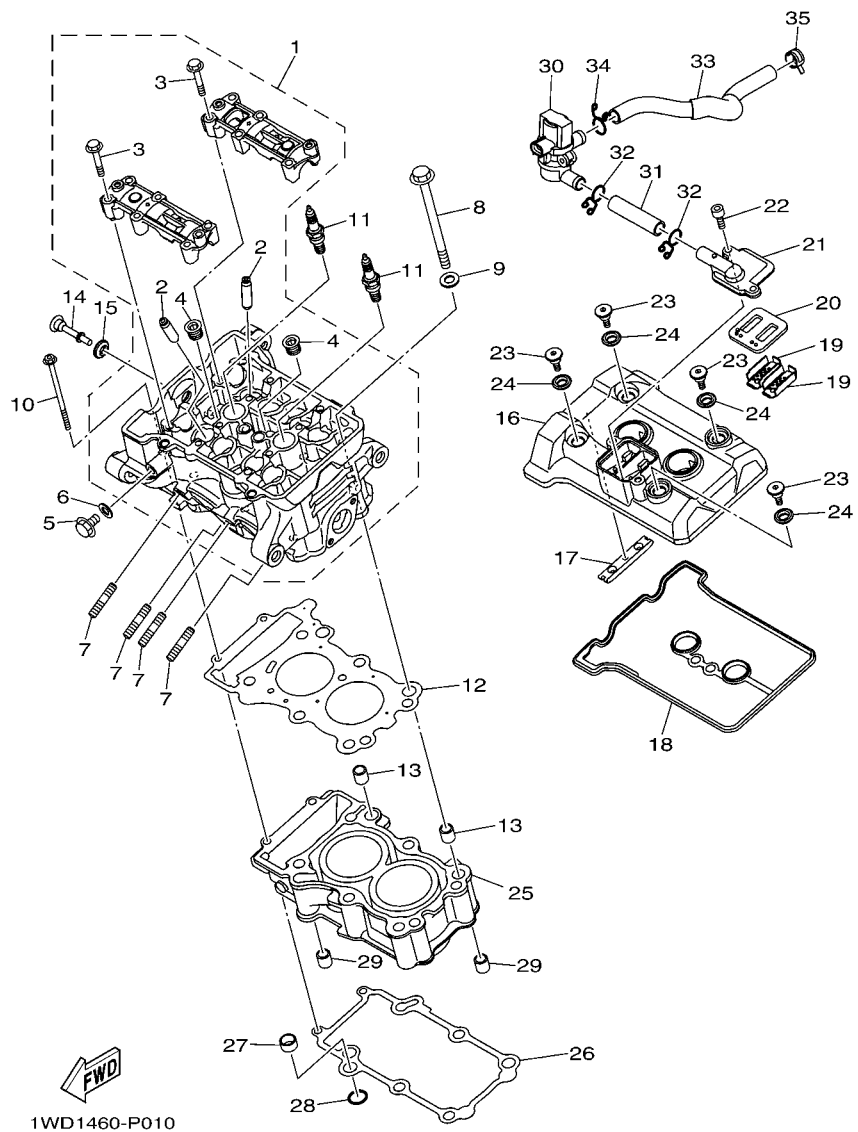


FIG. 1 CYLINDER HEAD

REF. NO.	PART NO.	DESCRIPTION	2YD1			REMARKS
28	93210-16716	O-RING	1			
29	99530-14016	PIN, DOWEL	2			
30	1WD-E4840-00	AIR CUT VALVE ASSY	1			
31	1WD-E4881-00	HOSE, BEND 1	1			
32	90467-16801	CLIP	2			
33	1WD-E4882-00	HOSE, BEND 2	1			
34	90467-16801	CLIP	1			
35	90467-16800	CLIP	1			

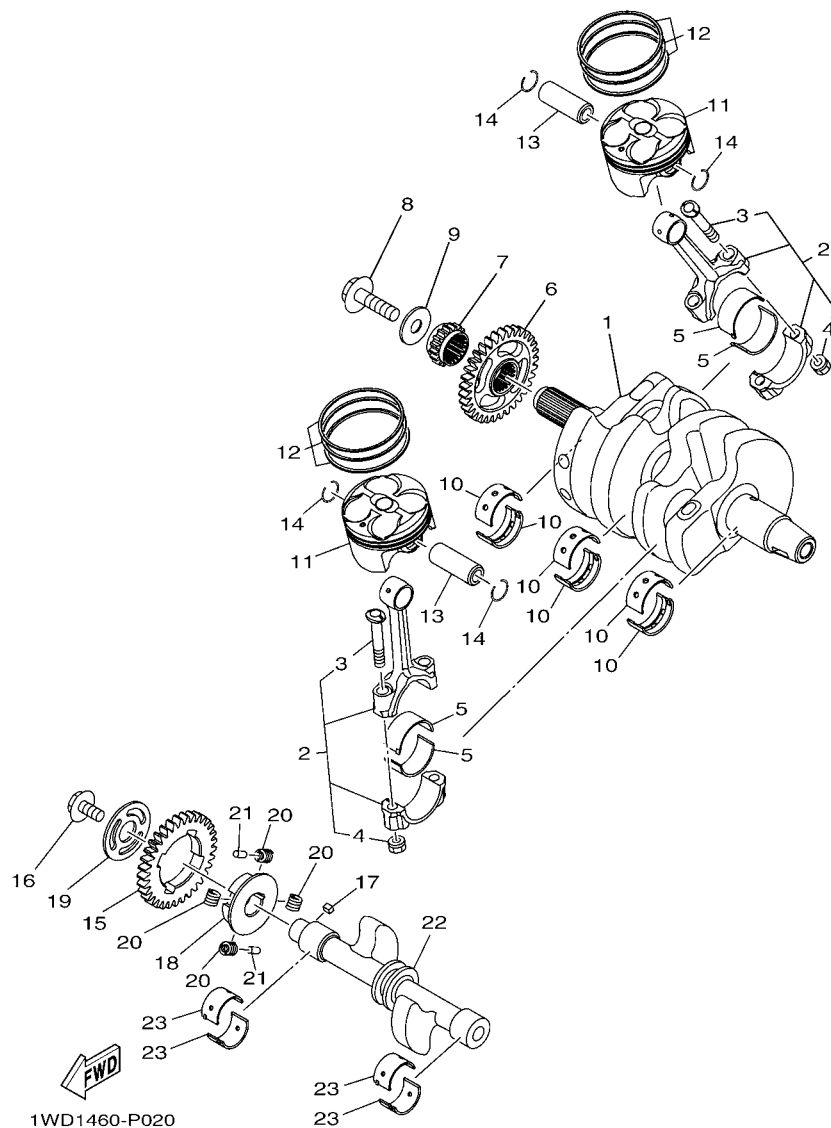


FIG. 2 CRANKSHAFT & PISTON

REF. NO.	PART NO.	DESCRIPTION	2YD1				REMARKS
1	1WD-11411-00	CRANKSHAFT	1				
2	1WD-11650-00	CONNECTING ROD ASSY	2				
3	5SL-11654-00	.BOLT, CONNECTING ROD	2				
4	90179-07652	.NUT	2				
5	1WD-11656-00	PLANE BEARING, CONNECTING ROD	4				UR BLUE
5	1WD-11656-10	PLANE BEARING, CONNECTING ROD	4				UR BLACK
5	1WD-11656-20	PLANE BEARING, CONNECTING ROD	4				UR BROWN
5	1WD-11656-30	PLANE BEARING, CONNECTING ROD	4				UR GREEN
6	1WD-E1536-00	GEAR, DRIVE	1				
7	1WD-E1549-00	SPROCKET, CAM CHAIN	1				
8	90105-10883	BOLT, FLANGE	1				
9	90201-102R1	WASHER, PLATE	1				
10	1WD-11416-00	PLANE BEARING, CRANKSHAFT 1	6				UR BLUE
10	1WD-11416-10	PLANE BEARING, CRANKSHAFT 1	6				UR BLACK
10	1WD-11416-20	PLANE BEARING, CRANKSHAFT 1	6				UR BROWN
10	1WD-11416-30	PLANE BEARING, CRANKSHAFT 1	6				UR GREEN
10	1WD-11416-40	PLANE BEARING, CRANKSHAFT 1	6				UR YELLOW
11	1WD-E1631-00	PISTON (STD)	2				
12	1WD-E1603-00	PISTON RING SET (STD)	2				
13	1WD-E1633-00	PIN, PISTON	2				
14	93450-16068	CIRCLIP	4				
15	1WD-E1531-00	GEAR, BALANCE WEIGHT	1				
16	90105-088F8	BOLT, FLANGE	1				
17	90282-04036	KEY, STRAIGHT	1				
18	1WD-E1496-00	BOSS, BUFFER	1				
19	90201-16812	WASHER, PLATE	1				
20	90501-22800	SPRING, COMPRESSION	4				

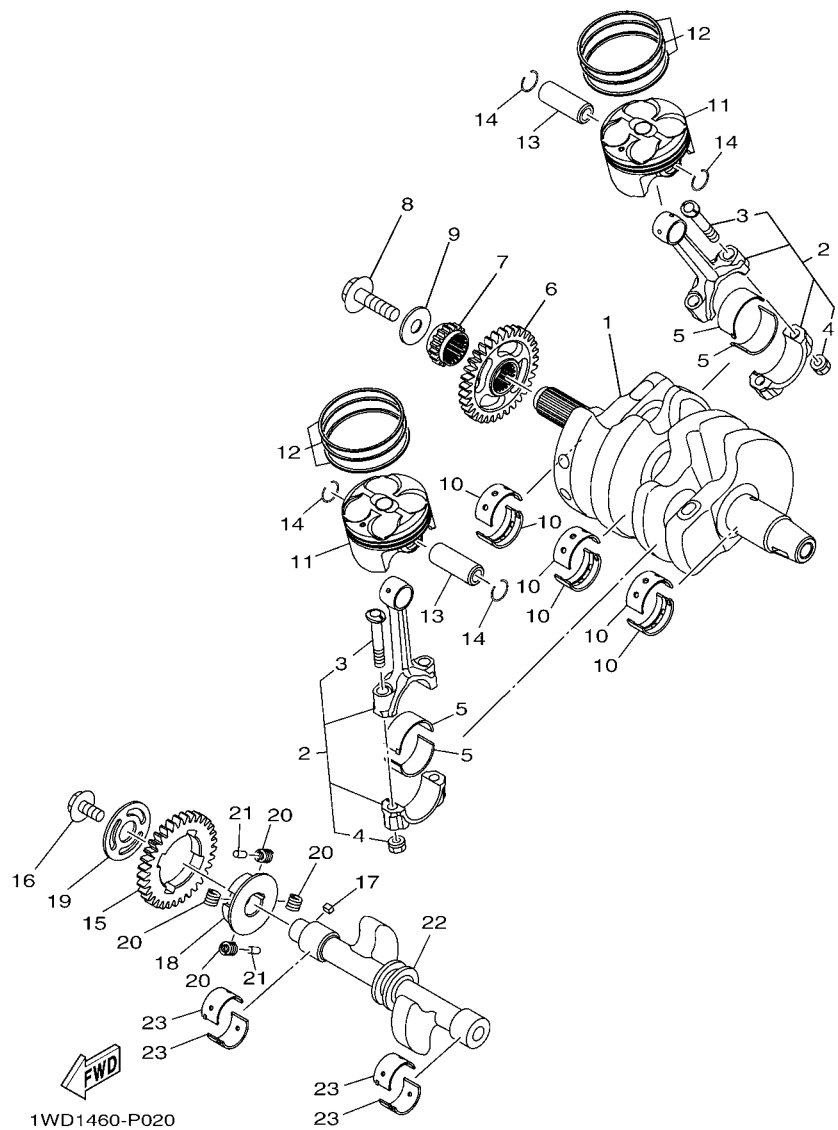
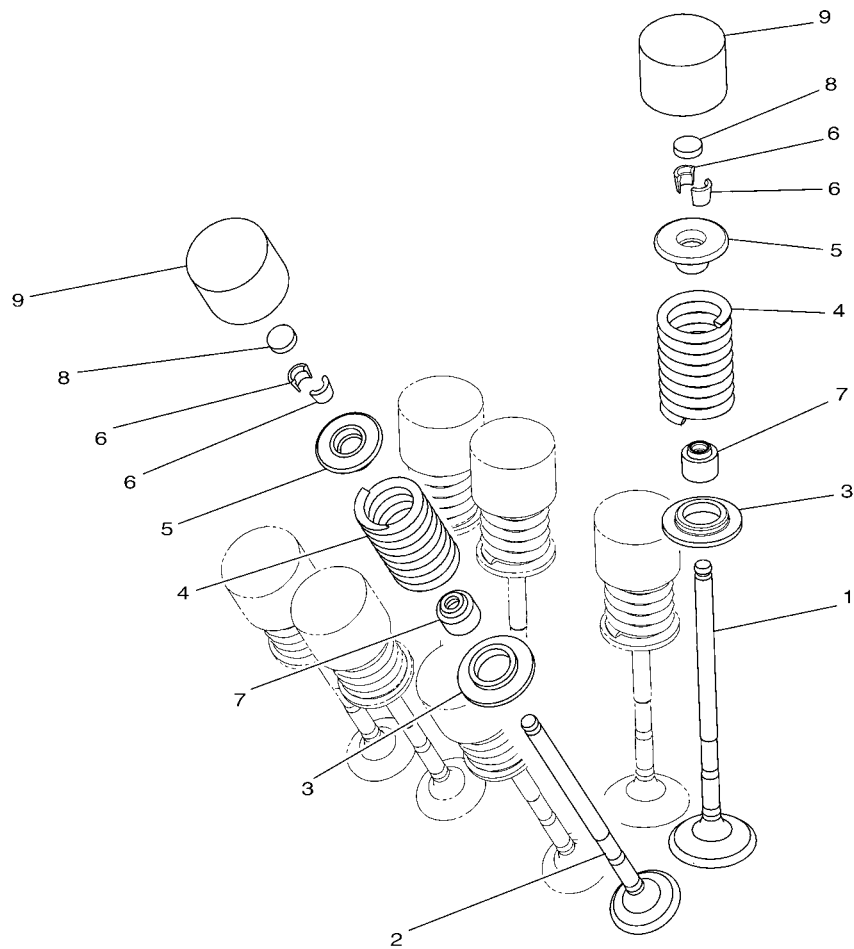


FIG. 2 CRANKSHAFT & PISTON

REF. NO.	PART NO.	DESCRIPTION	2YD1				REMARKS
21	93605-10090	PIN, DOWEL	2				
22	1WD-E1454-00	WEIGHT 1	1				
23	1WD-11413-00	METAL, BALANCE WEIGHT	4				UR BLUE
	1WD-11413-10	METAL, BALANCE WEIGHT	4				UR BLACK
	1WD-11413-20	METAL, BALANCE WEIGHT	4				UR BROWN
	1WD-11413-30	METAL, BALANCE WEIGHT	4				UR GREEN
	1WD-11413-40	METAL, BALANCE WEIGHT	4				UR YELLOW




1WD1460-P030

FIG. 3 VALVE

REF. NO.	PART NO.	DESCRIPTION	2YD1				REMARKS
1	1WD-E2111-00	VALVE, INTAKE	4				
2	1WD-E2121-00	VALVE, EXHAUST	4				
3	1WD-E2126-00	SEAT, VALVE SPRING 2	8				
4	1WD-12113-00	SPRING, VALVE INNER	8				
5	1WD-E2117-00	RETAINER, VALVE SPRING	8				
6	3S0-E2118-00	LOCK, VALVE SPRING RETAINER	16				
7	1PA-E2119-00	SEAL, VALVE STEM	8				
8	1HX-12168-F0	PAD, ADJUSTING 2 (1.50)	8				UR
	1HX-12168-H1	PAD, ADJUSTING 2 (1.55)	8				UR
	1HX-12168-K1	PAD, ADJUSTING 2 (1.60)	8				UR
	1HX-12168-M1	PAD, ADJUSTING 2 (1.65)	8				UR
	1HX-12168-R1	PAD, ADJUSTING 2 (1.70)	8				UR
	1HX-12168-U1	PAD, ADJUSTING 2 (1.75)	8				UR
	1HX-12168-W1	PAD, ADJUSTING 2 (1.80)	8				UR
	1HX-12168-Y1	PAD, ADJUSTING 2 (1.85)	8				UR
	1HX-12169-11	PAD, ADJUSTING 2 (1.90)	8				UR
	1HX-12169-31	PAD, ADJUSTING 2 (1.95)	8				UR
	1HX-12169-50	PAD, ADJUSTING 2 (2.00)	8				UR
	1HX-12169-70	PAD, ADJUSTING 2 (2.05)	8				UR
	1HX-12169-90	PAD, ADJUSTING 2 (2.10)	8				UR
	1HX-12169-E0	PAD, ADJUSTING 2 (2.15)	8				UR
	1HX-12169-G0	PAD, ADJUSTING 2 (2.20)	8				UR
	1HX-12169-J0	PAD, ADJUSTING 2 (2.25)	8				UR
	1HX-12169-L0	PAD, ADJUSTING 2 (2.30)	8				UR
	1HX-12169-N0	PAD, ADJUSTING 2 (2.35)	8				UR
	1HX-12169-T0	PAD, ADJUSTING 2 (2.40)	8				UR
9	1WD-12153-10	LIFTER, VALVE	8				

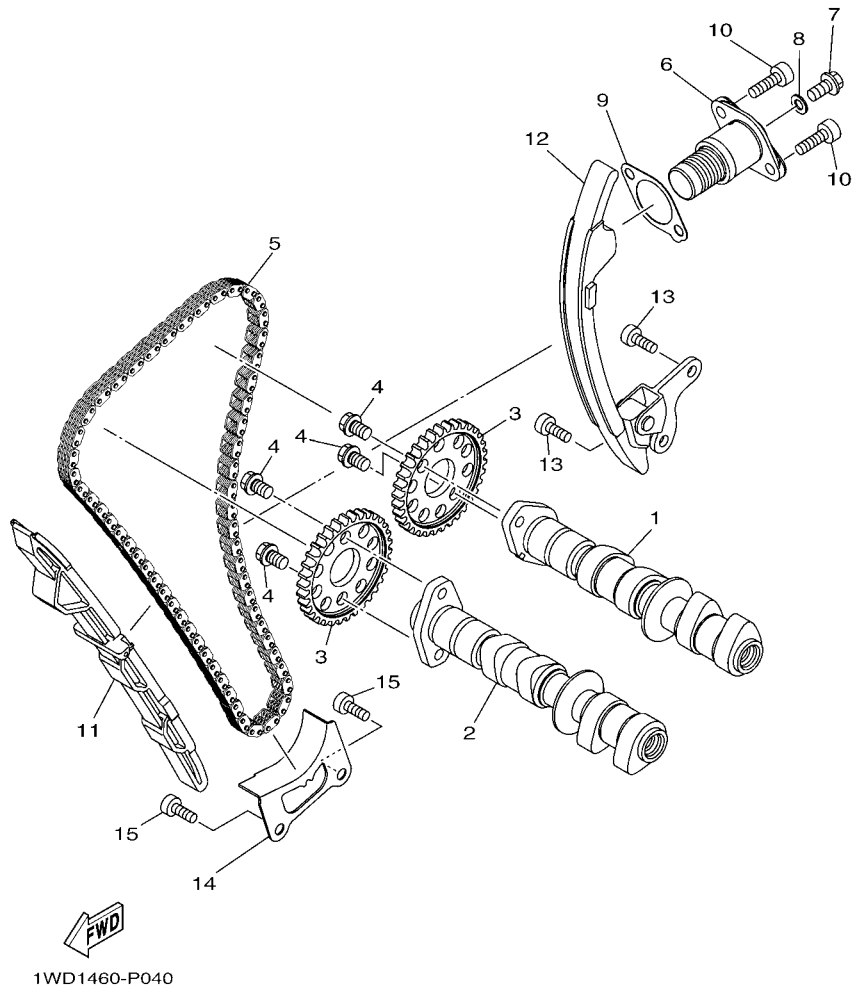
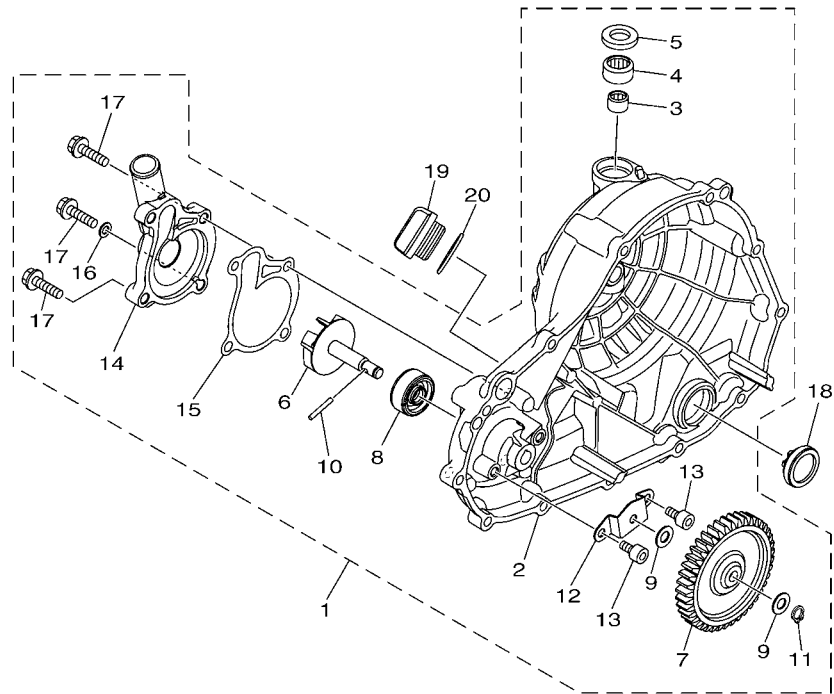


FIG. 4 CAMSHAFT & CHAIN

REF. NO.	PART NO.	DESCRIPTION	2YD1				REMARKS
1	1WD-E2170-00	CAMSHAFT ASSY 1	1				
2	1WD-E2180-00	CAMSHAFT ASSY 2	1				
3	1WD-E2176-00	SPROCKET, CAM CHAIN	2				
4	90105-07800	BOLT, FLANGE	4				
5	94591-61118	CHAIN	1				
6	1WD-12210-01	TENSIONER ASSY, CAM CHAIN	1				
7	95022-06008	BOLT, FLANGE	1				
8	90430-06014	GASKET	1				
9	1WD-E2213-00	GASKET, TENSIONER CASE	1				
10	91312-06020	BOLT	2				
11	1WD-E2251-00	DAMPER, CHAIN 1	1				
12	1WD-E2252-00	DAMPER, CHAIN 2	1				
13	90110-06161	BOLT, HEXAGON SOCKET HEAD	2				
14	1WD-E2256-00	COVER, CHAIN	1				
15	90110-06161	BOLT, HEXAGON SOCKET HEAD	2				

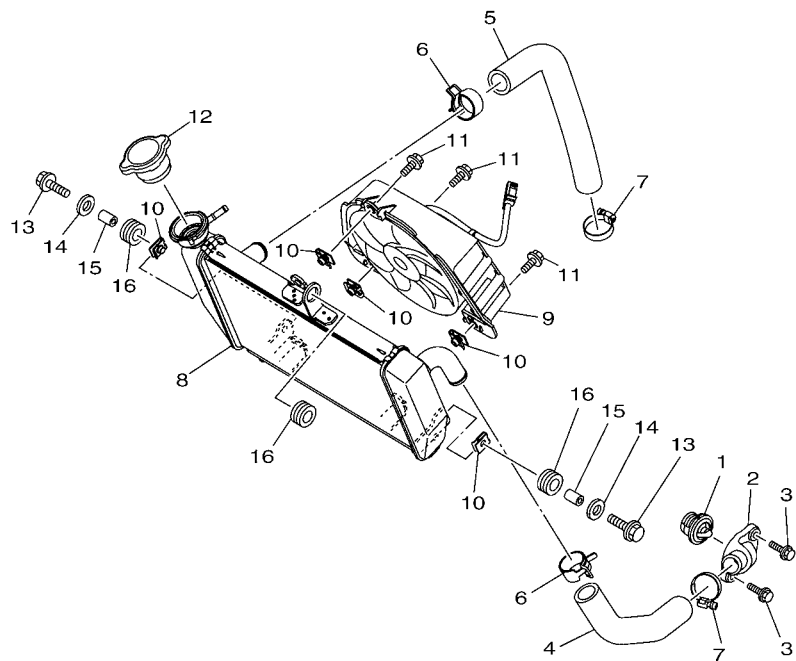



1WD1460-P050

FIG. 5 WATER PUMP

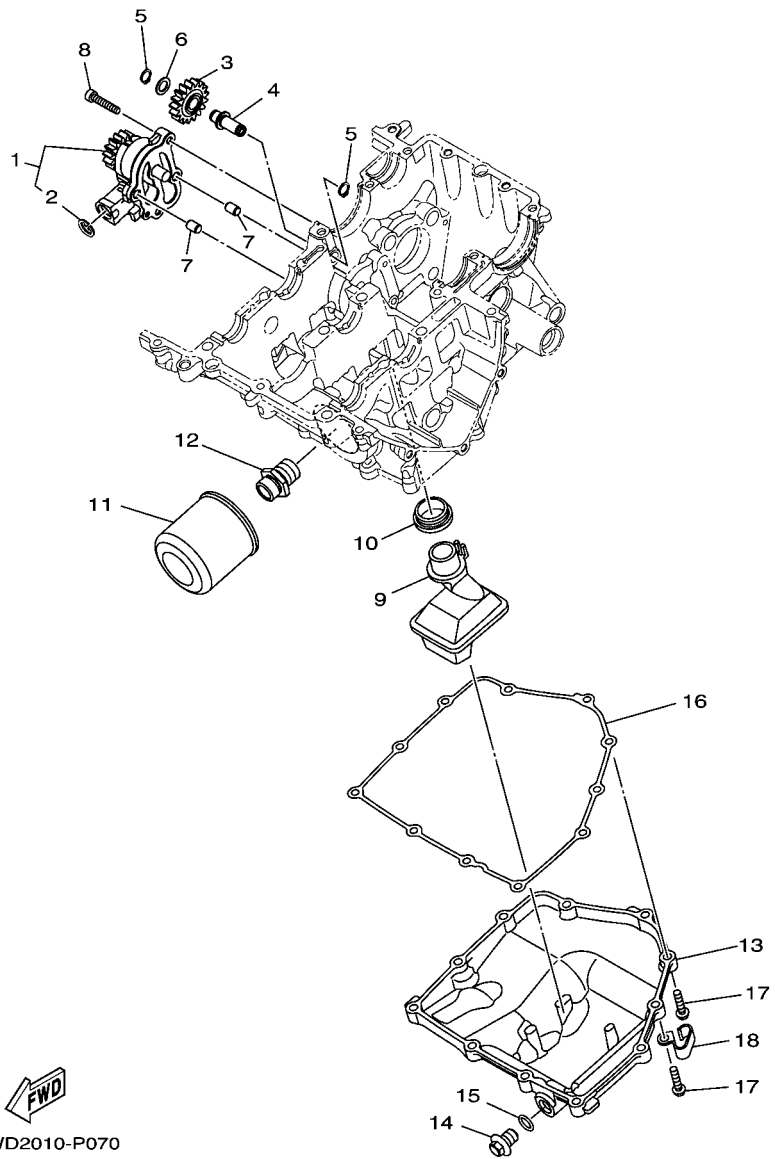
REF. NO.	PART NO.	DESCRIPTION	2YD1				REMARKS
1	1WD-E2420-00	WATER PUMP ASSY	1				
2	1WD-E5421-00	.COVER, CRANKCASE 2	1				
3	93317-11096	.BEARING	1				
4	93315-21570	.BEARING	1				
5	93102-15801	.OIL SEAL	1				
6	1WD-E2450-00	.IMPELLER SHAFT ASSY	1				
7	1WD-E2453-00	.GEAR	1				
8	33S-E2223-00	.SEAL	1				
9	33S-E2456-00	.WASHER	2				
10	1WD-E319L-00	.PIN, STRAIGHT	1				
11	99009-08400	.CIRCLIP	1				
12	1WD-E2681-00	.PLATE	1				
13	91312-06010	.BOLT	2				
14	1WD-E2422-00	.COVER, HOUSING	1				
15	1WD-E2428-00	.GASKET, HOUSING COVER 2	1				
16	90430-06014	.GASKET	1				
17	95022-06025	.BOLT, FLANGE	3				
18	2H7-15361-00	GAUGE, LEVEL	1				
19	1WD-E5362-00	PLUG, OIL LEVEL	1				
20	93210-27807	O-RING	1				

FIG. 6 RADIATOR & HOSE



REF. NO.	PART NO.	DESCRIPTION	2YD1				REMARKS
1	5P0-12411-00	THERMOSTAT	1				
2	1WD-E2413-00	COVER, THERMOSTAT	1				
3	95022-06020	BOLT, FLANGE	2				
4	1WD-E2577-00	HOSE 2	1				
5	1WD-E2578-00	HOSE 3	1				
6	90467-250A1	CLIP	2				
7	90450-28001	HOSE CLAMP ASSY	2				
8	1WD-E2461-00	RADIATOR COMP	1				
9	1WD-E2405-00	BLOWER ASSY	1				
10	1WD-E2671-00	NUT 1	5				
11	5YP-E2675-00	BOLT, BLOWER HOLDING	3				
12	5P0-E2590-00	CONDUCTION ASSY	1				
13	95827-06025	BOLT, FLANGE	2				
14	90201-06072	WASHER, PLATE	2				
15	90387-064W3	COLLAR	2				
16	90480-15808	GROMMET	3				


1WD1460-P060



FWD
1WD2010-P070

FIG. 7 OIL PUMP

REF. NO.	PART NO.	DESCRIPTION	2YD1				REMARKS
1	1WD-E3300-00	OIL PUMP ASSY	1				
2	99009-15500	.CIRCLIP	1				
3	1WD-E3341-00	GEAR, OIL PUMP IDLE	1				
4	1WD-E3342-00	SHAFT, IDLE GEAR	1				
5	99009-10400	CIRCLIP	2				
6	90201-10119	WASHER, PLATE	1				
7	99530-08012	PIN, DOWEL	2				
8	91312-06030	BOLT	4				
9	1WD-E3410-00	STRAINER HOUSING ASSY	1				
10	1WD-E3415-00	SEAL, OIL STRAINER	1				
11	1WD-E3440-00	ELEMENT ASSY, OIL CLEANER	1				
12	90401-20008	BOLT, UNION	1				
13	1WD-E3417-00	COVER, STRAINER	1				
14	90340-12808	PLUG, STRAIGHT SCREW	1				
15	4YS-E1198-00	GASKET	1				
16	1WD-E3414-00	GASKET, STRAINER COVER	1				
17	95022-06025	BOLT, FLANGE	11				
18	90462-08810	CLAMP	1				

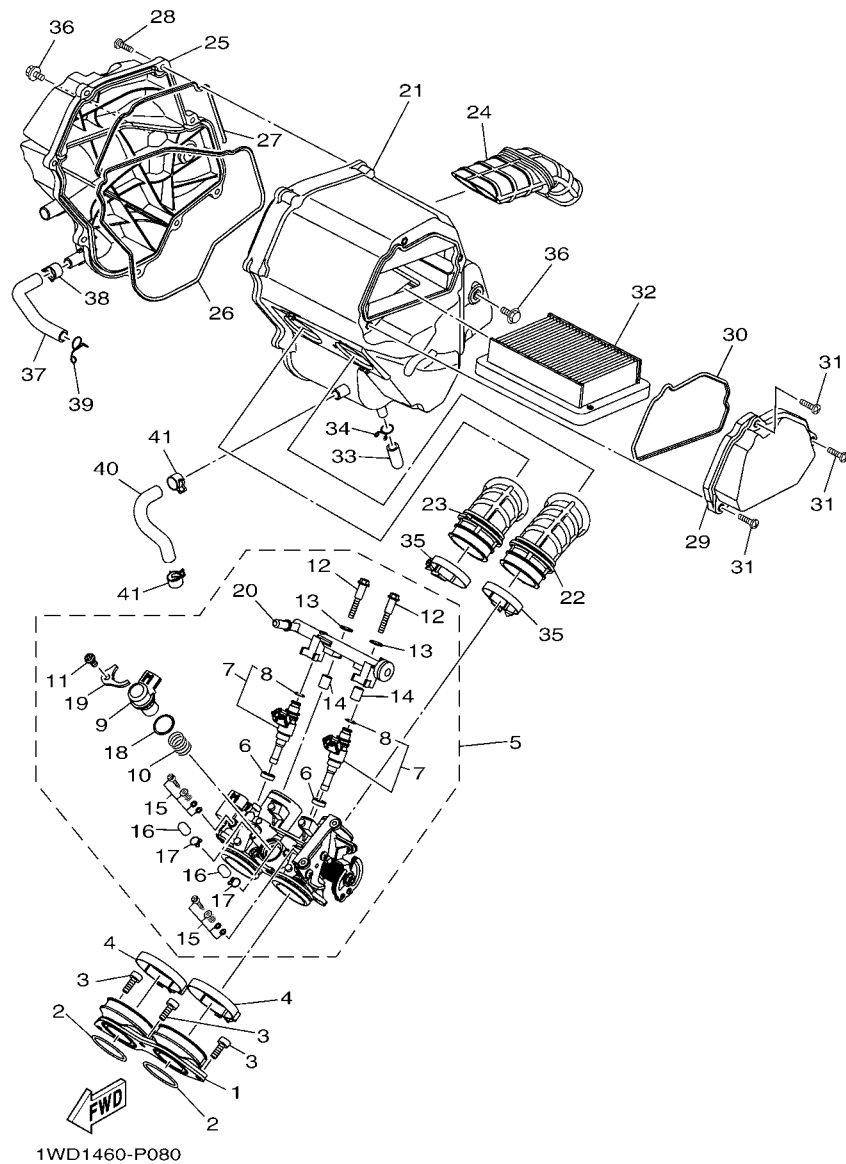
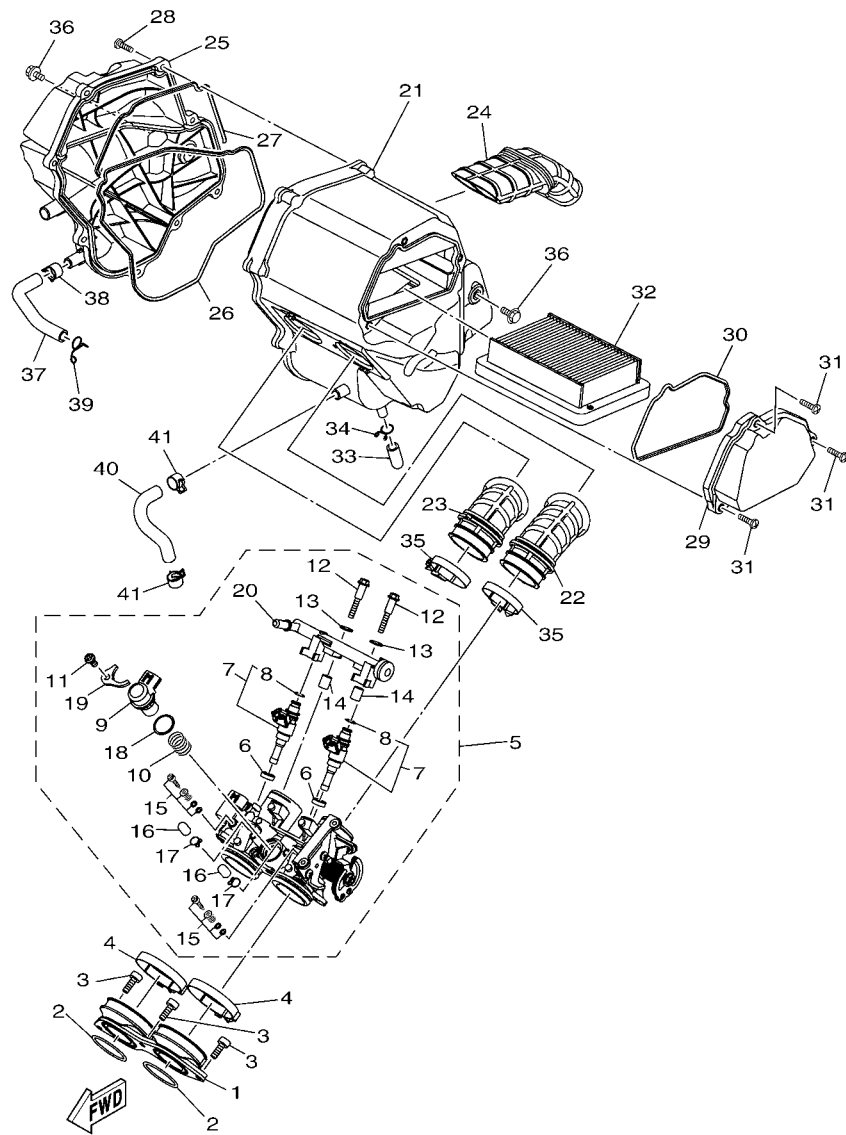


FIG. 8 INTAKE

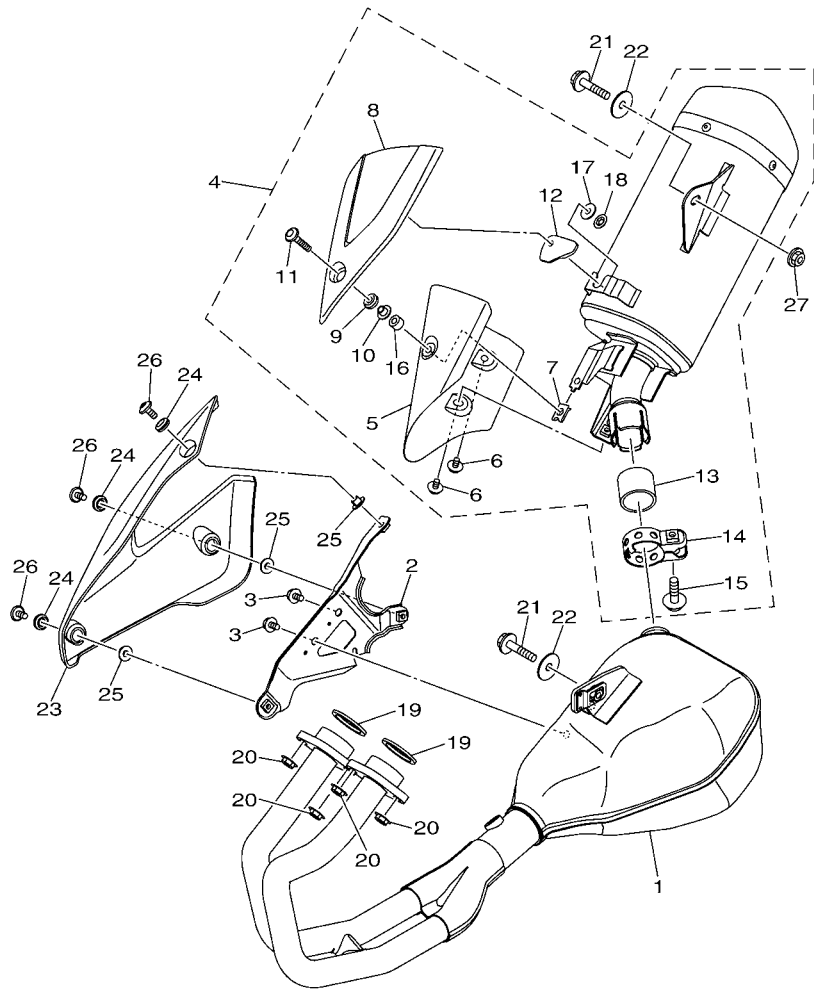
REF. NO.	PART NO.	DESCRIPTION	2YD1				REMARKS
1	1WD-E3586-00	JOINT, CARBURETOR 1	1				
2	93210-39802	O-RING	2				
3	91312-06016	BOLT	3				
4	90450-55804	HOSE CLAMP ASSY	2				
5	1WD-E3750-00	THROTTLE BODY ASSY	1				
6	1WD-E3556-00	.GASKET	2				
7	1WD-E3761-00	.INJECTOR	2				
8	5PS-14147-00	.O-RING	1				
9	1WS-85801-00	.STEPPING MOTOR	1				
10	1WS-14335-00	.SPRING, PLUNGER	1				
11	98502-06012	.SCREW, PAN HEAD	1				
12	1WD-E3573-00	.BOLT 1	2				
13	8GL-13571-00	.WASHER	2				
14	8HG-14534-00	.COLLAR	2				
15	5JW-14104-00	.AIR SCREW SET	2				
16	895-14169-00	.CAP	2				
17	8A7-14139-00	.CLIP, PIPE	2				
18	54P-E416A-00	.O-RING	1				
19	1WD-E4243-00	.PLATE	1				
20	1WD-E3938-00	.PIPE	1				
21	1WD-E4411-00	CASE, AIR CLEANER 1	1				
22	1WD-E4469-00	FUNNEL, AIR	1				
23	1WD-E446C-00	FUNNEL 2	1				
24	1WD-E4437-00	DUCT	1				
25	1WD-E4412-00	CAP, CLEANER CASE 1	1				
26	1WD-E4452-00	SEAL	1				
27	1WD-E4457-00	SEAL	1				



1WD1460-P080

FIG. 8 INTAKE

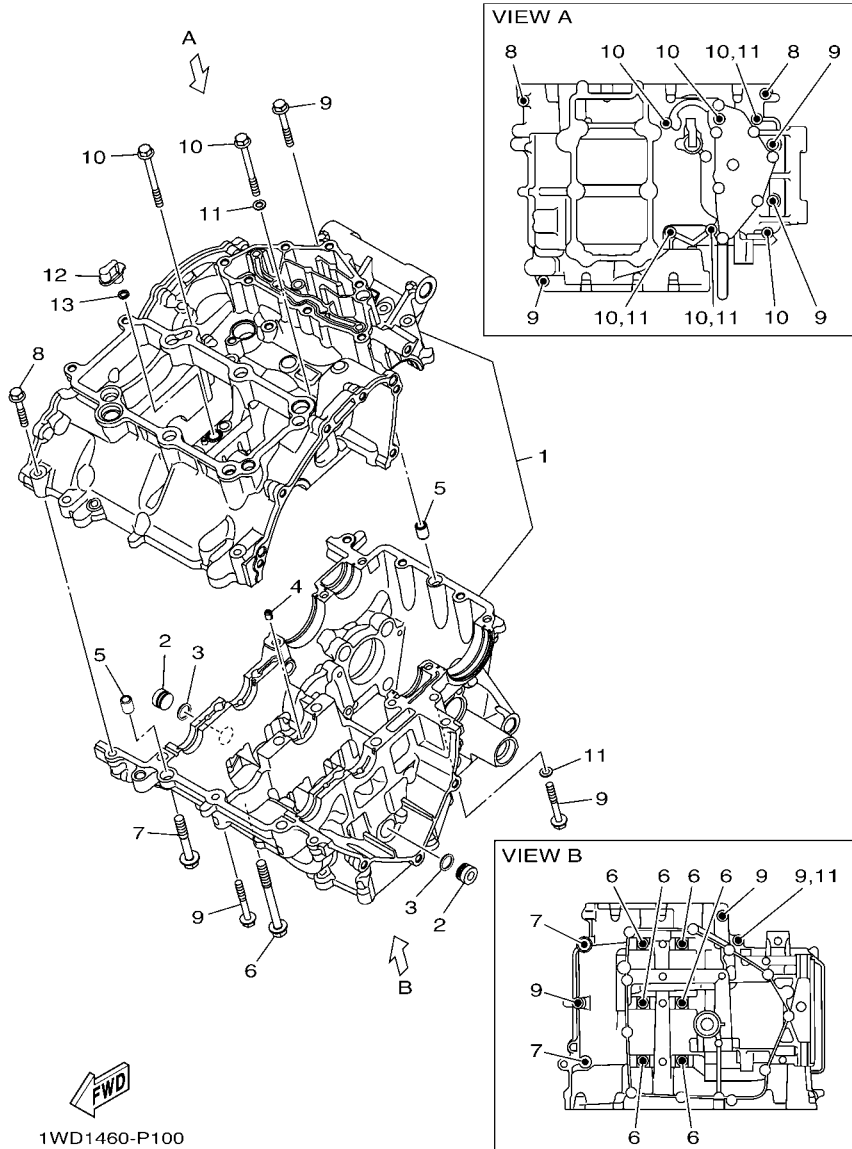
REF. NO.	PART NO.	DESCRIPTION	2YD1				REMARKS
28	97702-50025	SCREW, TAPPING	8				
29	1WD-E4422-00	CAP, CLEANER CASE 2	1				
30	1WD-E4462-00	SEAL	1				
31	98902-05020	SCREW, BIND	3				
32	1WD-E4451-00	ELEMENT, AIR CLEANER	1				
33	52B-E443E-00	PIPE, DRAIN	1				
34	90467-110A3	CLIP	1				
35	54P-E3474-00	BAND	2				
36	95822-06010	BOLT, FLANGE	2				
37	1WD-E3543-00	HOSE, AIR	1				
38	90467-13802	CLIP	1				
39	90467-12052	CLIP	1				
40	1WD-E5373-00	PIPE, BREATHER	1				
41	90467-13802	CLIP	2				



1WD1460-P090

FIG. 9 EXHAUST

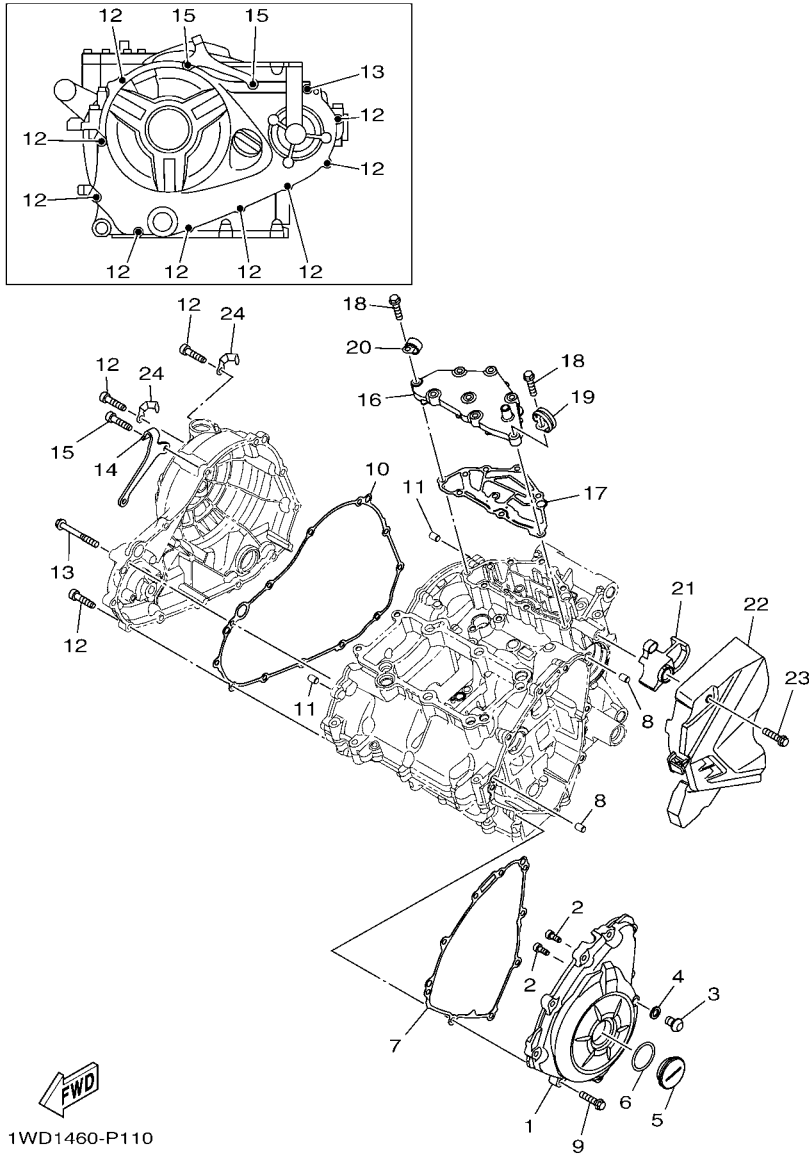
REF. NO.	PART NO.	DESCRIPTION	2YD1				REMARKS
1	1WD-E4602-00	EXHAUST PIPE COMP.	1				
2	1WD-E473L-00	BRACKET 3	1				
3	95027-06010	BOLT, FLANGE	2				
4	1WD-E4710-00	MUFFLER ASSY 1	1				
5	1WD-E4758-00	.PROTECTOR, SILENCER	1				
6	90111-06802	.BOLT,HEX. SOCKET BUTTON	2				
7	90183-06818	.NUT, SPRING	1				
8	1WD-E4728-00	.PROTECTOR, MUFFLER 2	1				
9	90480-12581	.GROMMET	1				
10	90387-087L0	.COLLAR	1				
11	90111-06847	.BOLT,HEX. SOCKET BUTTON	1				
12	1WD-E4763-00	.SPACER	1				
13	54D-E4714-00	.GASKET, MUFFLER	1				
14	1WD-E4715-00	.BAND, MUFFLER	1				
15	95027-08035	.BOLT, FLANGE	1				
16	90387-068N4	.COLLAR	1				
17	90201-06088	.WASHER, PLATE	1				
18	90183-06011	.NUT, SPRING	1				
19	1WD-E4613-00	GASKET, EXHAUST PIPE	2				
20	95707-08500	NUT, FLANGE	4				
21	90105-088G7	BOLT, FLANGE	2				
22	90201-08612	WASHER, PLATE	2				
23	1WD-E4628-00	PROTECTOR, EXHAUST PIPE	1				
24	90480-12581	GROMMET	3				
25	90387-087L0	COLLAR	3				
26	90111-06152	BOLT,HEX. SOCKET BUTTON	3				
27	95607-08200	NUT, SELF-LOCKING	1				




1WD1460-P100

FIG. 10 CRANKCASE

REF. NO.	PART NO.	DESCRIPTION	2YD1				REMARKS
1	1WD-E5150-10	CRANKCASE ASSY	1				
2	90338-16262	PLUG	2				
3	93210-12803	O-RING	2				
4	1WD-E5148-00	NOZZLE 2	1				
5	99530-10014	PIN, DOWEL	2				
6	90105-088F7	BOLT, FLANGE	6				
7	90105-088G0	BOLT, FLANGE	2				
8	95812-06035	BOLT, FLANGE	2				
9	95812-06045	BOLT, FLANGE	6				
10	95812-06065	BOLT, FLANGE	6				
11	90430-06014	GASKET	4				
12	1WD-E5155-00	NOZZLE 3	1				
13	93210-068F7	O-RING	1				



FWD
1WD1460-P110

FIG. 11 CRANKCASE COVER 1

REF. NO.	PART NO.	DESCRIPTION	2YD1				REMARKS
1	1WD-E5411-00	COVER, CRANKCASE 1	1				
2	91312-05012	BOLT	2				
3	92014-08012	BOLT, BUTTON HEAD	1				
4	90430-08143	GASKET	1				
5	90340-32819	PLUG, STRAIGHT SCREW	1				
6	93210-32816	O-RING	1				
7	1WD-E5451-00	GASKET, CRANKCASE COVER 1	1				
8	99530-08012	PIN, DOWEL	2				
9	95022-06025	BOLT, FLANGE	9				
10	1WD-E5461-00	GASKET, CRANKCASE COVER 2	1				
11	99530-08012	PIN, DOWEL	2				
12	95022-06025	BOLT, FLANGE	9				
13	95022-06050	BOLT, FLANGE	1				
14	1WD-E5441-00	HOLDER, CLUTCH CABLE	1				
15	91312-06025	BOLT	2				
16	1WD-E5413-10	COVER	1				
17	1WD-E5462-00	GASKET, CRANKCASE COVER 3	1				
18	95022-06025	BOLT, FLANGE	8				
19	90462-08812	CLAMP	1				
20	90462-08806	CLAMP	1				
21	1WD-E5377-00	GUIDE, INLET	1				
22	1WD-E5418-00	COVER, CHAIN CASE	1				
23	95022-06025	BOLT, FLANGE	2				
24	90462-08225	CLAMP	2				

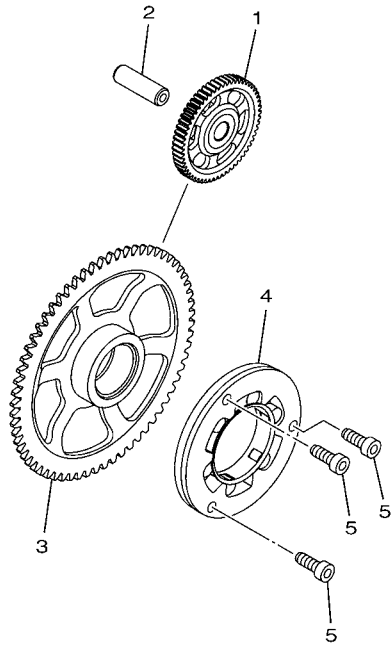


FIG. 12 STARTER CLUTCH

REF. NO.	PART NO.	DESCRIPTION	QTY	REMARKS
1	1WD-E5514-00	GEAR 2	1	
2	44D-E5521-00	SHAFT 1	1	
3	1WD-E5515-00	GEAR 3	1	
4	1WD-E5580-00	STARTER CLUTCH OUTER ASSY	1	
5	90110-06161	BOLT, HEXAGON SOCKET HEAD	3	

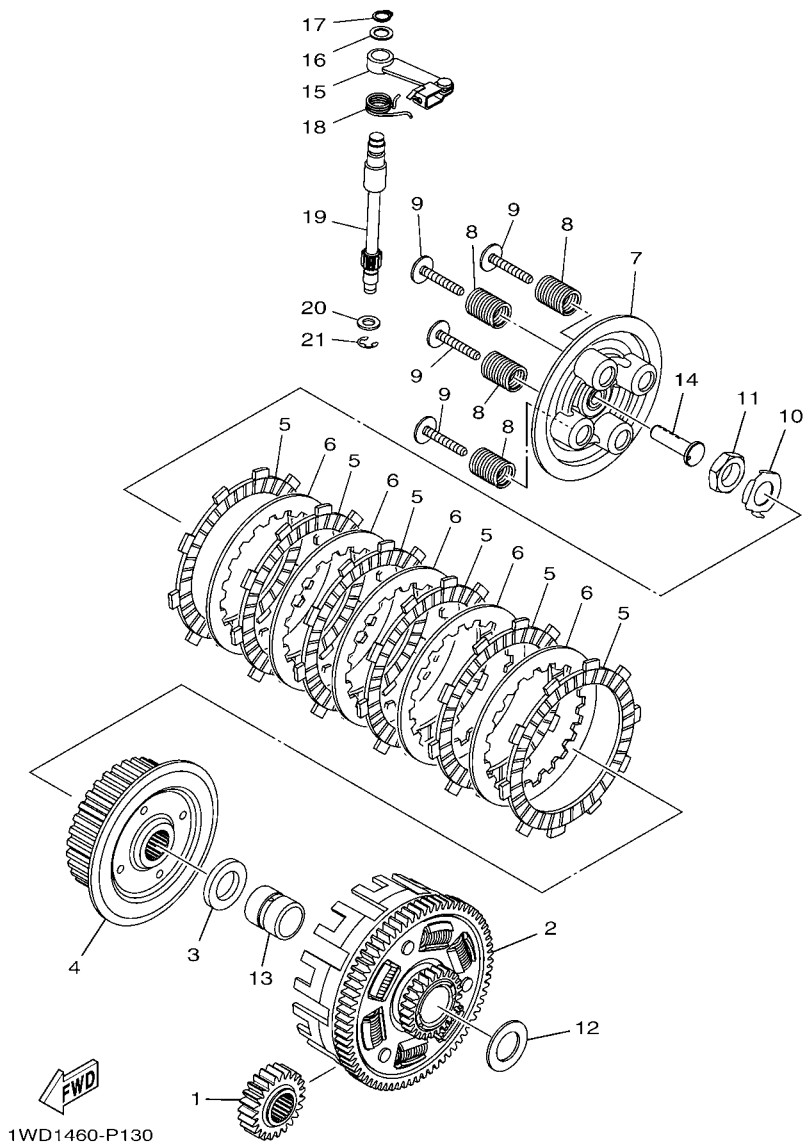


FIG. 13 CLUTCH

REF. NO.	PART NO.	DESCRIPTION	2YD1				REMARKS
1	1WD-E6111-00	GEAR, PRIMARY DRIVE	1				
2	1WD-E6150-00	PRIMARY DRIVEN GEAR COMP.	1				
3	1WD-E6154-00	PLATE, THRUST 1	1				
4	1WD-E6371-00	BOSS, CLUTCH	1				
5	1WD-E6331-00	PLATE, FRICTION 2	6				
6	1WD-E6324-00	PLATE, CLUTCH 1	5				
7	1WD-E6350-00	PRESSURE PLATE ASSY	1				
8	1WD-E6333-00	SPRING, CLUTCH 1	4				
9	1WD-E6337-00	SCREW, SPRING	4				
10	90215-18800	WASHER, LOCK	1				
11	90170-18221	NUT	1				
12	90201-22013	WASHER, PLATE	1				
13	1WD-E6181-00	SPACER 1	1				
14	1WD-E6356-00	ROD, PUSH 1	1				
15	1WD-E6340-00	PUSH LEVER ASSY	1				
16	90201-10843	WASHER, PLATE	1				
17	99009-10400	CIRCLIP	1				
18	90508-18136	SPRING, TORSION	1				
19	1WD-16382-00	AXLE, PUSH LEVER	1				
20	92902-08600	WASHER, PLATE	1				
21	99002-07600	CLIP	1				

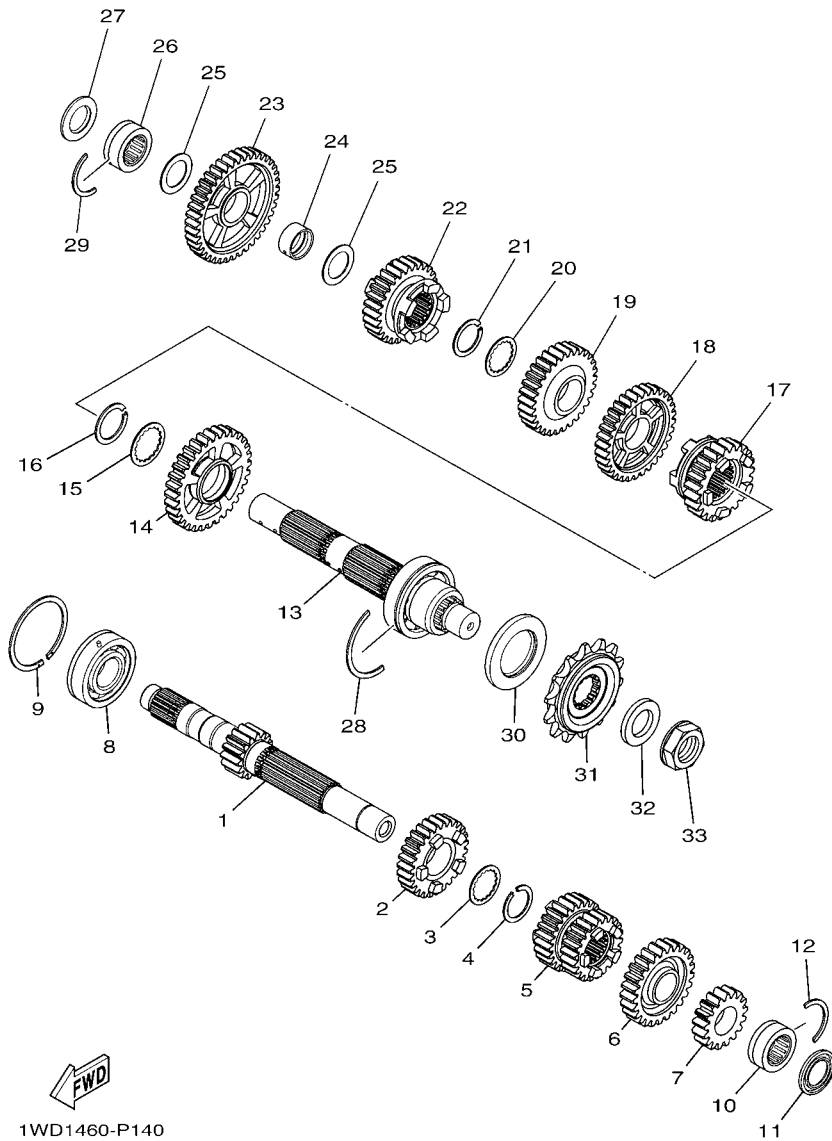


FIG. 14 TRANSMISSION

REF. NO.	PART NO.	DESCRIPTION	2YD1				REMARKS
1	1WD-E7411-00	AXLE, MAIN (15T)	1				
2	1WD-E7151-00	GEAR, 5TH PINION (27T)	1				
3	90214-22008	WASHER, CLAW	1				
4	93440-24200	CIRCLIP	1				
5	1WD-E7131-00	GEAR, 3RD PINION (22T/25T)	1				
6	1WD-E7161-00	GEAR, 6TH PINION (25T)	1				
7	1WD-E7121-00	GEAR, 2ND PINION (17T)	1				
8	93306-255Y9	BEARING	1				
9	93440-52009	CIRCLIP	1				
10	93311-420Y3	BEARING	1				
11	93101-20802	OIL SEAL	1				
12	278-17425-00	CIRCLIP 2	1				
13	1WD-E7402-00	DRIVE AXLE ASSY	1				
14	1WD-E7221-00	GEAR, 2ND WHEEL (32T)	1				
15	90209-25011	WASHER	1				
16	93440-28184	CIRCLIP	1				
17	1WD-E7261-00	GEAR, 6TH WHEEL (23T)	1				
18	1WD-E7231-00	GEAR, 3RD WHEEL (32T)	1				
19	1WD-E7241-00	GEAR, 4TH WHEEL (30T)	1				
20	90214-22008	WASHER, CLAW	1				
21	93440-24200	CIRCLIP	1				
22	1WD-E7251-00	GEAR, 5TH WHEEL (28T)	1				
23	1WD-E7211-00	GEAR, 1ST WHEEL (40T)	1				
24	90387-20814	COLLAR	1				
25	90201-20276	WASHER, PLATE (T=1.0)	2				
26	93311-420Y3	BEARING	1				
27	93101-20802	OIL SEAL	1				

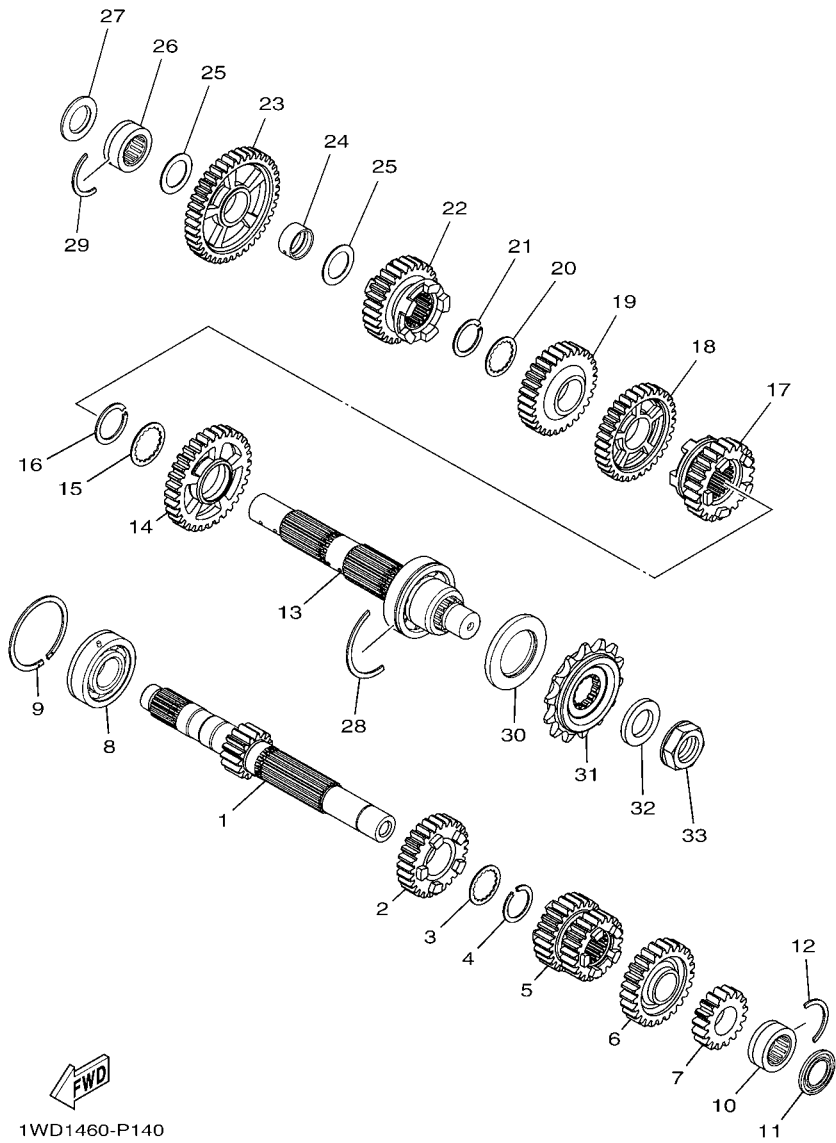
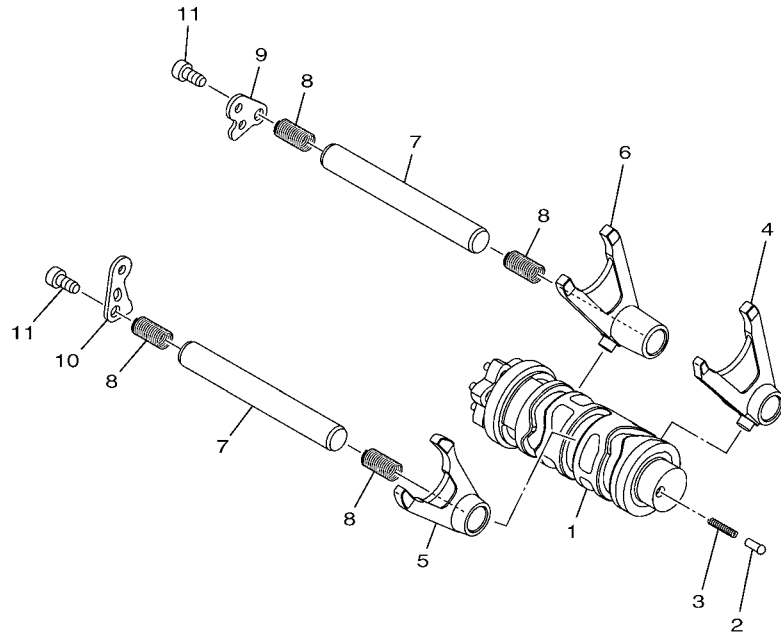


FIG. 14 TRANSMISSION

REF. NO.	PART NO.	DESCRIPTION	2YD1				REMARKS
28	1WD-17424-00	CIRCLIP 1	1				
29	278-17425-00	CIRCLIP 2	1				
30	93102-35803	OIL SEAL	1				
31	1WD-E7460-00	SPROCKET, DRIVE (14T)	1				
32	90201-20023	WASHER, PLATE	1				
33	90179-20013	NUT	1				
<hr/>							
<hr/>							
<hr/>							
<hr/>							
<hr/>							
<hr/>							
<hr/>							
<hr/>							

FIG. 15 SHIFT CAM & FORK



REF. NO.	PART NO.	DESCRIPTION	2YD1				REMARKS
1	1WD-E8540-10	SHIFT CAM ASSY	1				
2	5TP-E8542-00	POINT, NEUTRAL	1				
3	90501-06022	SPRING, COMPRESSION	1				
4	1WD-E8511-00	FORK, SHIFT 1	1				
5	1WD-E8512-00	FORK, SHIFT 2	1				
6	1WD-E8513-00	FORK, SHIFT 3	1				
7	1WD-E8531-00	BAR, SHIFT FORK GUIDE 1	2				
8	90501-080A2	SPRING, COMPRESSION	4				
9	1WD-E8536-00	STOPPER, SHIFT BAR	1				
10	1WD-E8562-00	PLATE, STOPPER 2	1				
11	90110-06182	BOLT, HEXAGON SOCKET HEAD	2				


1WD1460-P150

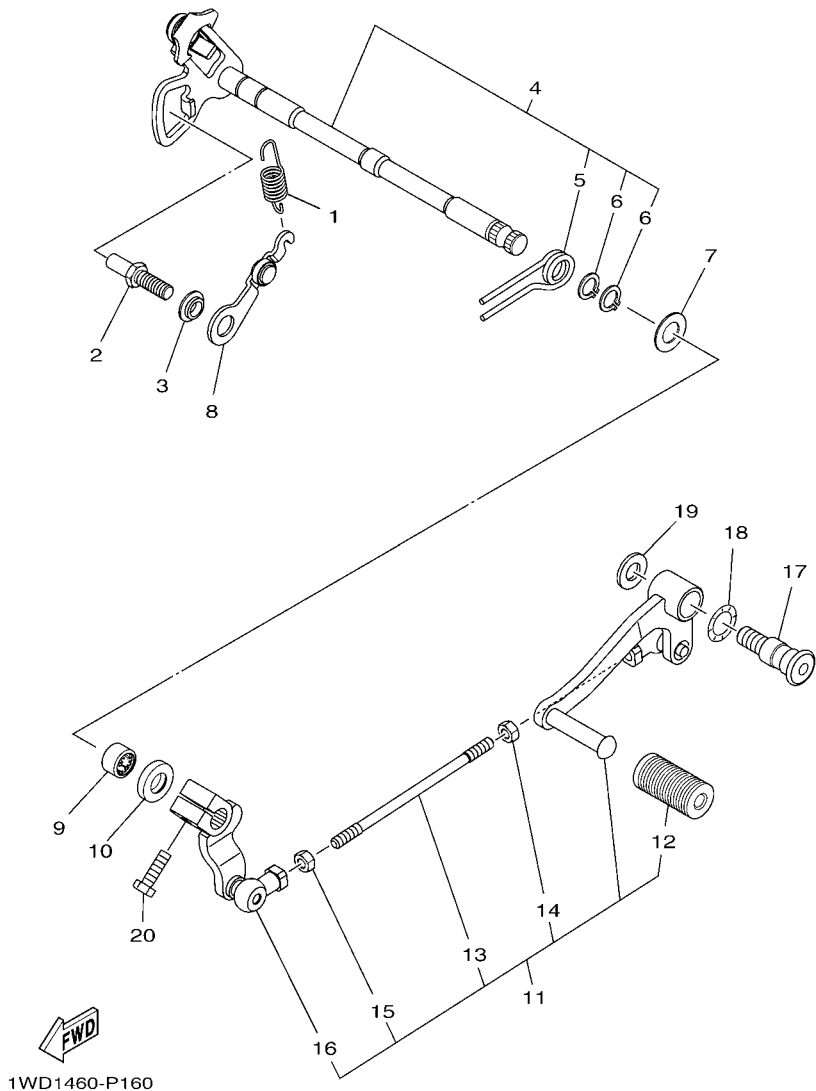


FIG. 16 SHIFT SHAFT

REF. NO.	PART NO.	DESCRIPTION	2YD1				REMARKS
1	1WD-E8337-00	SPRING	1				
2	1WD-E8127-00	STOPPER, SCREW	1				
3	1WD-E8175-00	SPACER	1				
4	1WD-E8101-00	SHIFT SHAFT ASSY	1				
5	90508-29806	.SPRING, TORSION	1				
6	99009-12400	.CIRCLIP	2				
7	90201-127E1	WASHER, PLATE	1				
8	1WD-E8140-00	STOPPER LEVER ASSY	1				
9	93317-11295	BEARING	1				
10	93102-12891	OIL SEAL	1				
11	1WD-E8110-00	SHIFT PEDAL ASSY	1				
12	1EG-E8113-01	.COVER, SHIFT PEDAL	1				
13	1WD-E8115-00	.ROD, SHIFT	1				
14	90170-06023	.NUT	1				
15	95302-06600	.NUT	1				
16	1WD-E8112-00	.ARM, SHIFT	1				
17	45P-F7261-00	SHAFT	1				
18	90206-14001	WASHER, WAVE	1				
19	90201-10021	WASHER, PLATE	1				
20	97012-06020	BOLT	1				

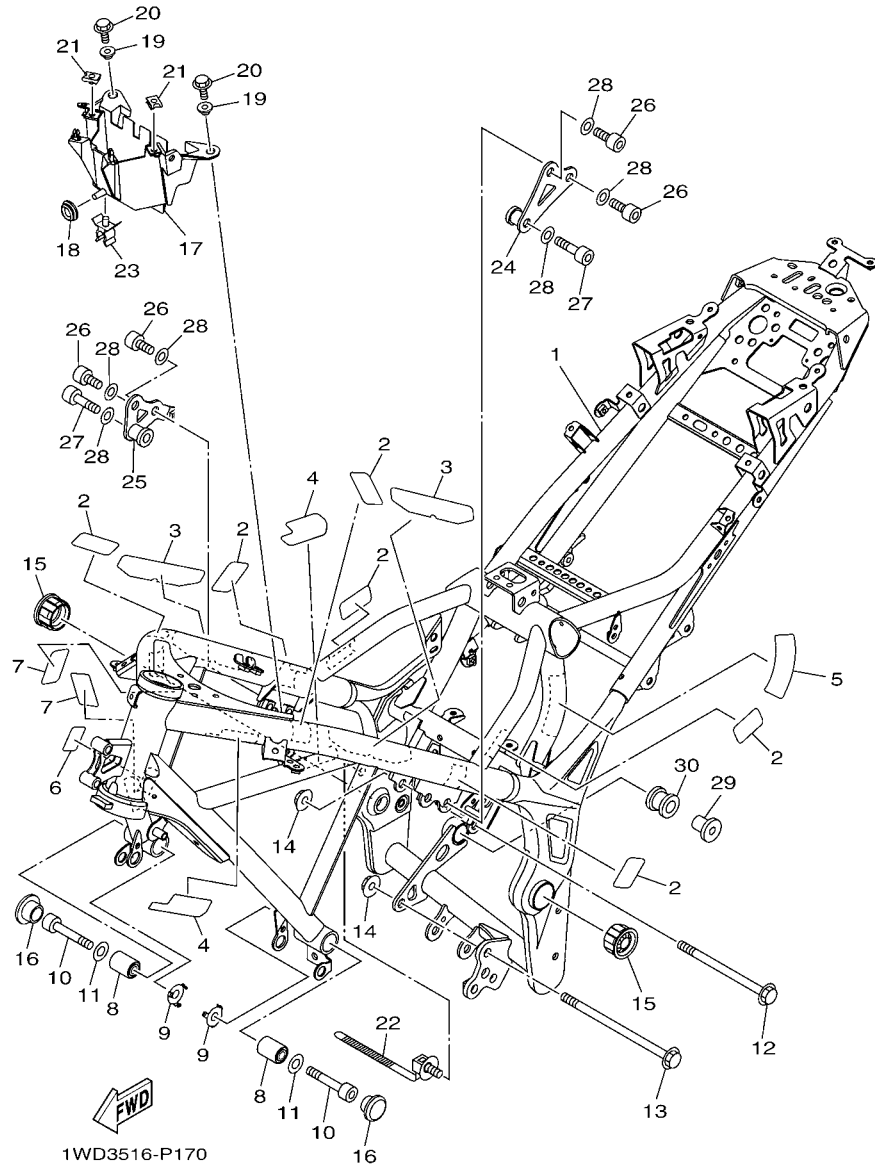


FIG. 17 FRAME

REF. NO.	PART NO.	DESCRIPTION	2YD1				REMARKS
1	1WD-F1110-00	FRAME COMP.	1				
2	1WD-F113B-00	DAMPER	6				
3	1WD-F112C-00	DAMPER 2	2				
4	1WD-F117G-00	PROTECTOR	2				
5	1WD-F1652-00	PROTECTOR	1				
6	1WD-F193A-00	PROTECTOR	1				
7	5D9-F414G-00	SEAL	2				
8	1WD-F2123-00	BUSH 1	2				
9	1WD-F191B-00	PLATE 1	2				
10	91317-10060	BOLT	2				
11	92902-10200	WASHER	2				
12	90105-10889	BOLT, FLANGE	1				
13	90105-10891	BOLT, FLANGE	1				
14	90179-10805	NUT	2				
15	1WD-F135F-00	COVER	2				
16	90338-23801	PLUG	2				
17	1WD-F1171-00	BOX	1				
18	90480-13398	GROMMET	1				
19	90387-07819	COLLAR	2				
20	95022-06014	BOLT, FLANGE	2				
21	90183-06818	NUT, SPRING	2				
22	90464-30009	CLAMP	1				
23	90464-12015	CLAMP	1				
24	1WD-F122A-00	STAY 1	1				
25	1WD-F122B-00	STAY 2	1				
26	91317-10020	BOLT	4				
27	91317-10045	BOLT	2				

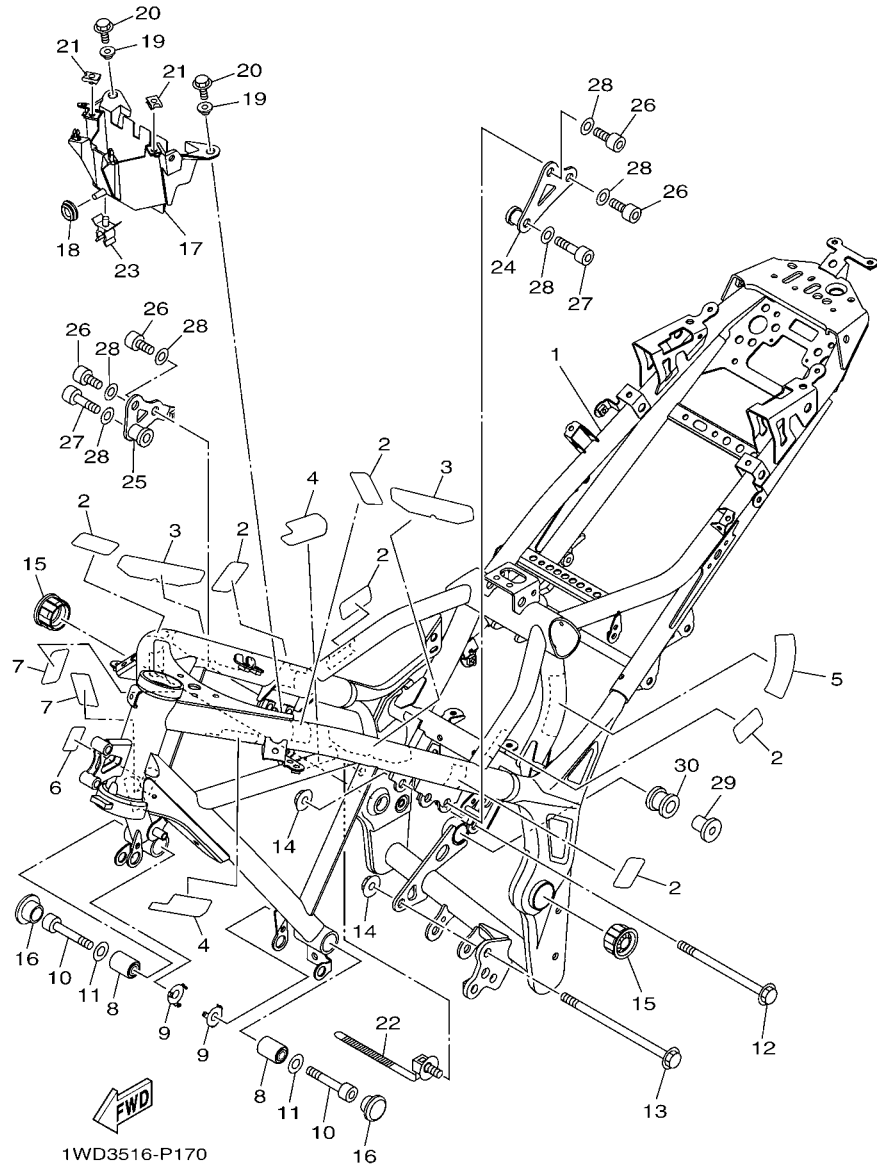


FIG. 17 FRAME

REF. NO.	PART NO.	DESCRIPTION	2YD1				REMARKS
28	92907-10600	WASHER, PLATE	6				
29	90387-08813	COLLAR	1				
30	5TP-E4747-00	DAMPER, MUFFLER	1				

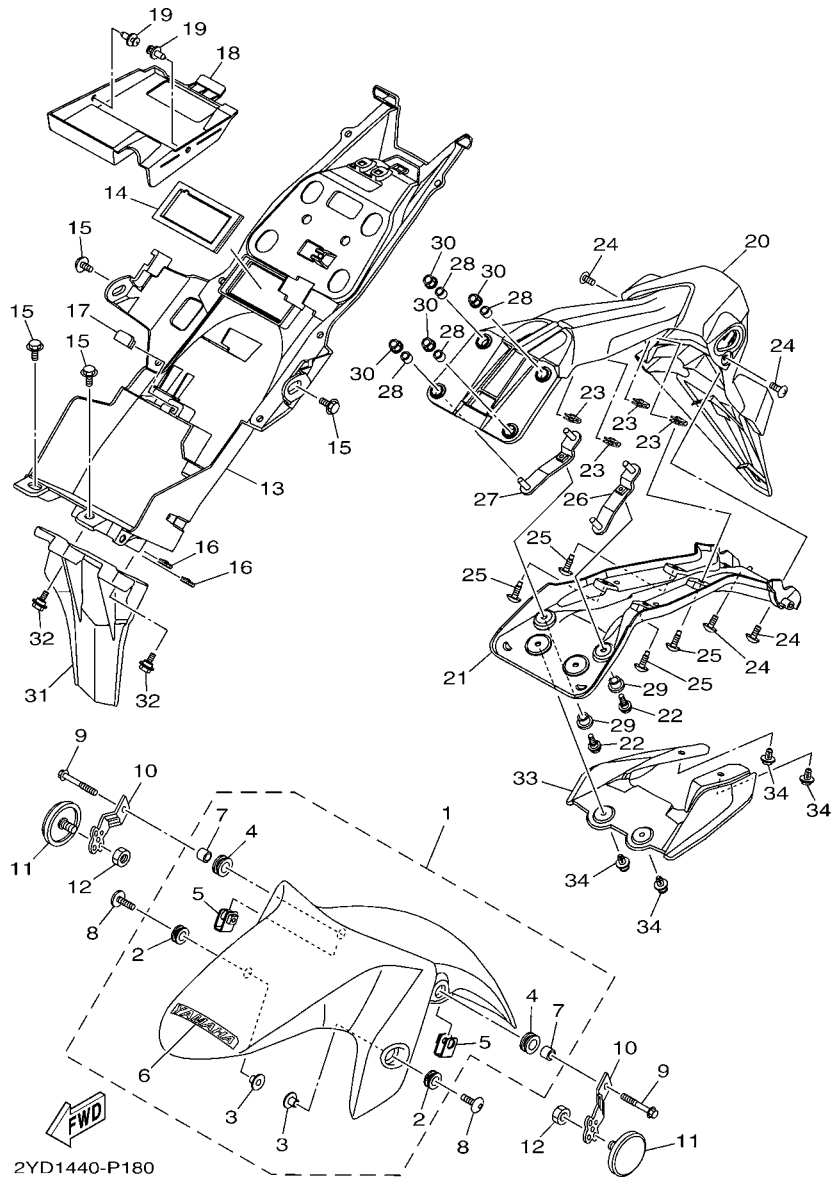


FIG. 18 FENDER

REF. NO.	PART NO.	DESCRIPTION	2YD1				REMARKS
1	1WD-XF151-30-P1	FENDER, FRONT	1				UR FOR DPBMC
	1WD-XF151-20-P0	FENDER, FRONT	1				UR FOR SMX
	1WD-XF151-20-P2	FENDER, FRONT	1				UR FOR VRC1
2	90480-12815	.GROMMET	2				
3	90387-068C5	.COLLAR	2				
4	90480-15809	.GROMMET	2				
5	1WD-F1586-00	.BRACKET	2				
6	1WD-F153E-00	.EMBLEM, YAMAHA	1				UR FOR DPBMC
	1WD-F153E-10	.EMBLEM, YAMAHA	1				UR FOR SMX
	1WD-F153E-20	.EMBLEM, YAMAHA	1				UR FOR VRC1
7	90387-068L0	.COLLAR	2				
8	90111-06137	BOLT,HEX. SOCKET BUTTON	2				
9	95027-06045	BOLT, FLANGE	2				
10	1WD-F113J-00	BRACKET, REFLECTOR 1	2				
11	4AG-85111-00	REFLECTOR, FRONT 1	2				
12	95702-06500	NUT, FLANGE	2				
13	1WD-F1611-00	FENDER, REAR	1				
14	1WD-F1669-00	SEAL	1				
15	90109-063F1	BOLT	4				
16	90183-05076	NUT, SPRING	2				
17	1WD-F16A2-00	SEAL, 2	1				
18	1WD-F163E-00	COVER, REAR FENDER 2	1				
19	90269-06081	RIVET	2				
20	1WD-F1629-00	GUARD, MUD	1				
21	1WD-F1617-00	BRACKET, FENDER	1				
22	90111-05021	BOLT,HEX. SOCKET BUTTON	2				
23	90183-050A7	NUT, SPRING	4				

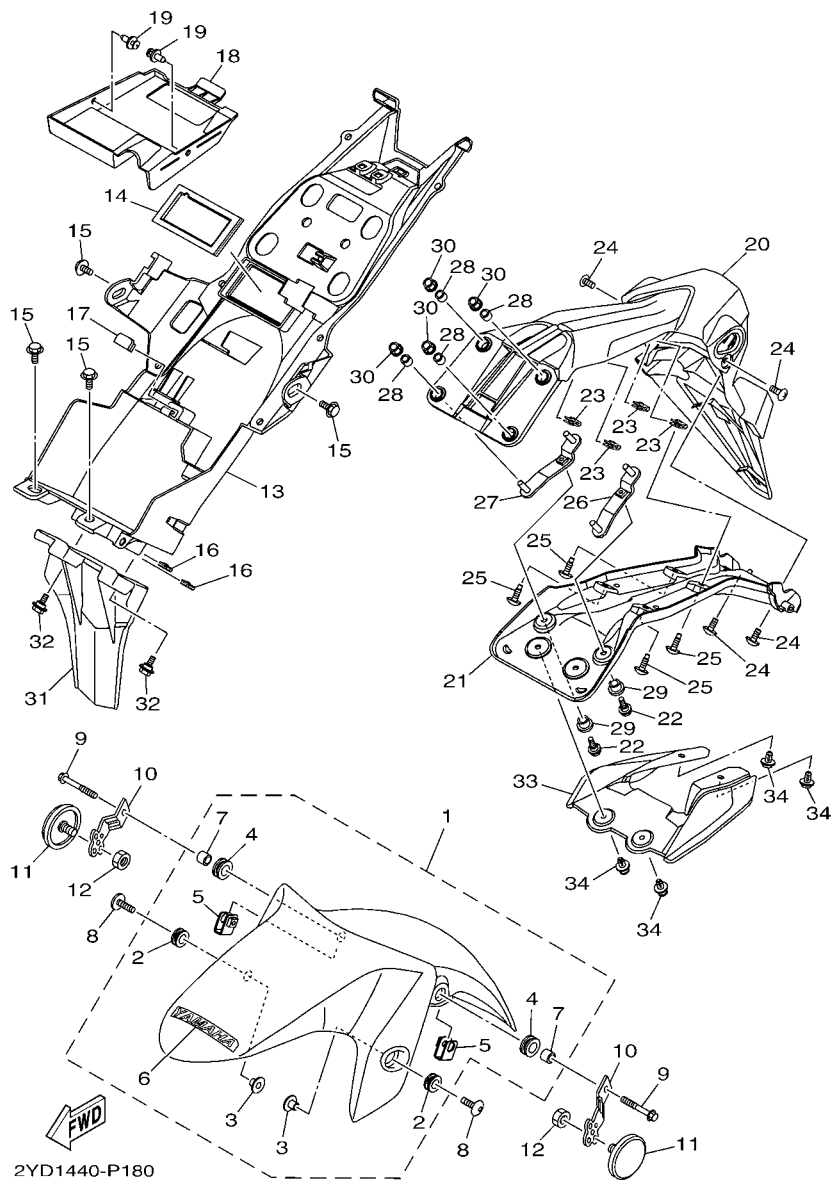
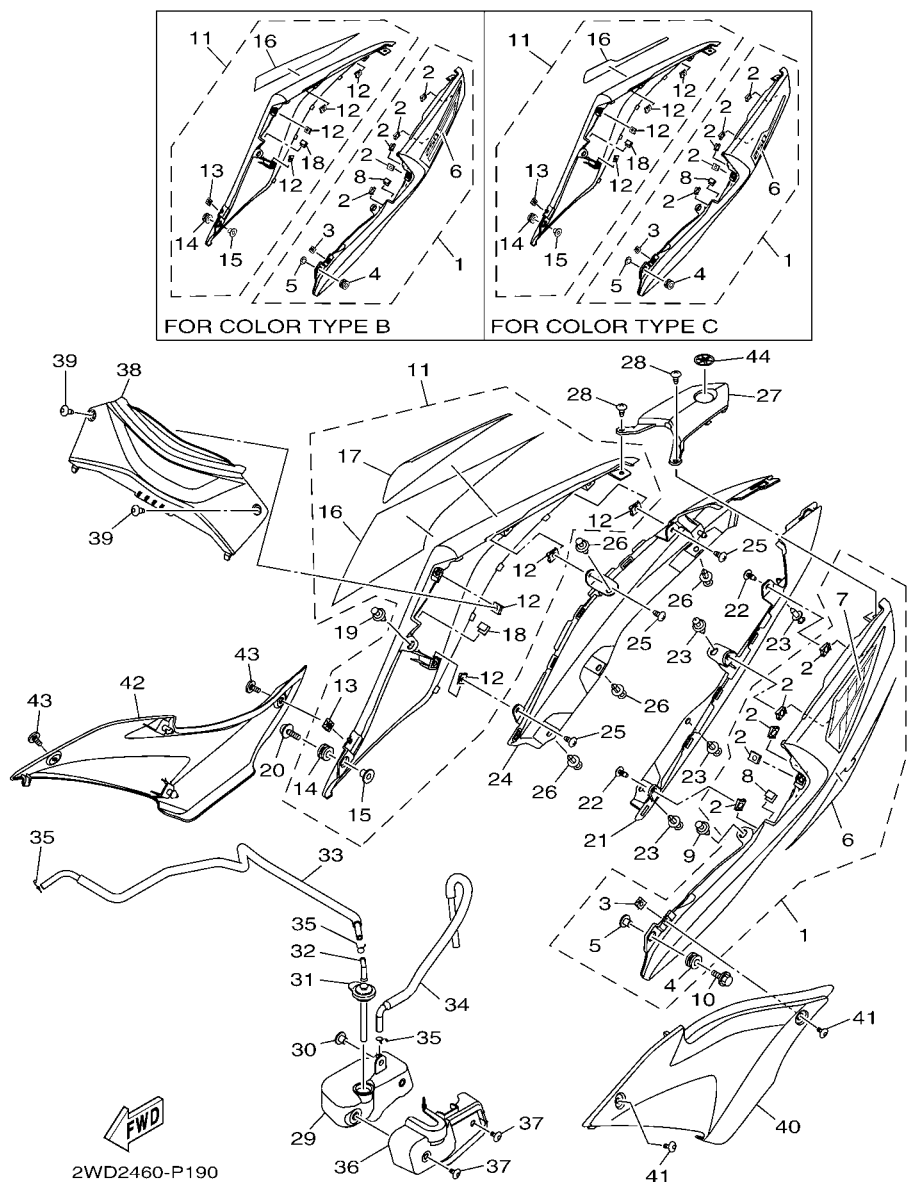


FIG. 18 FENDER

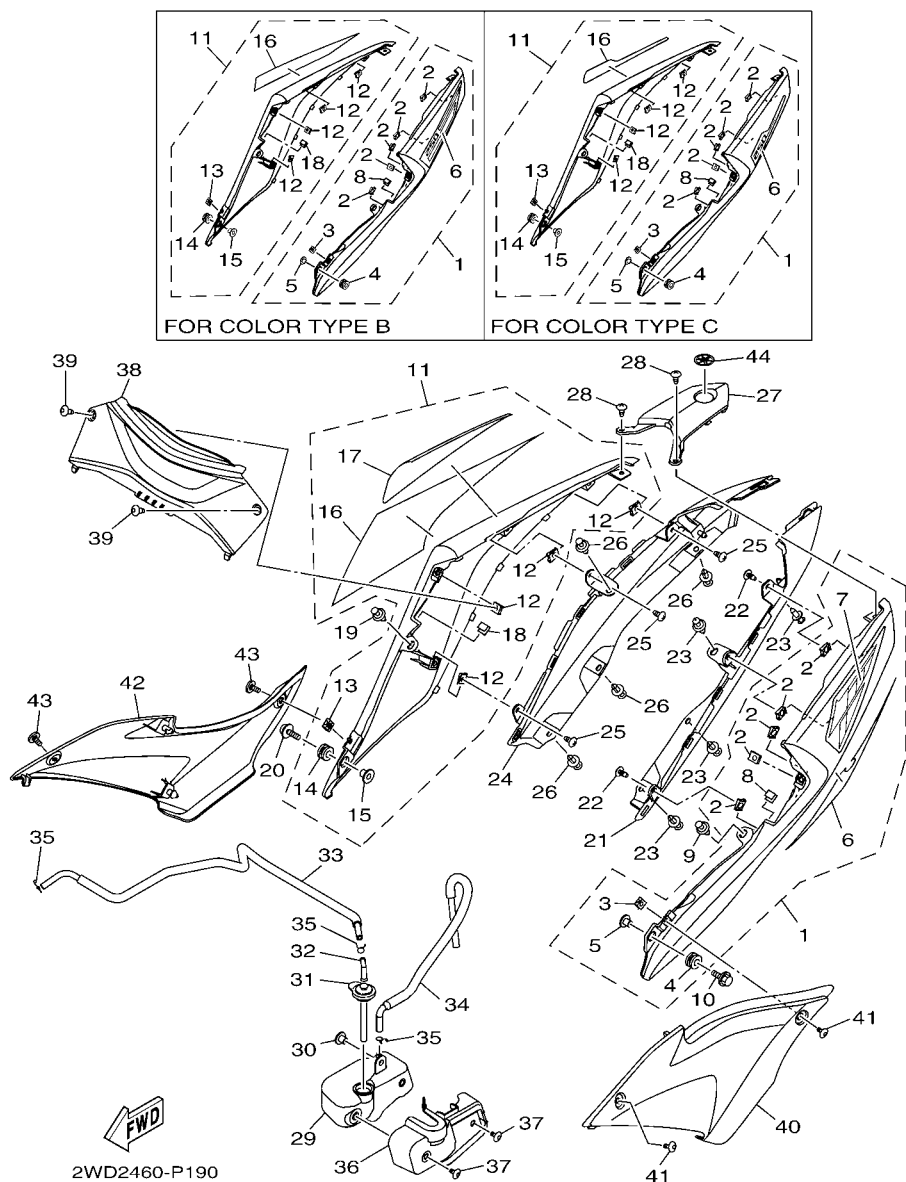
REF. NO.	PART NO.	DESCRIPTION	2YD1				REMARKS
24	97707-50016	SCREW, TRUSS HEAD TAPPING	4				
25	90111-05018	BOLT,HEX. SOCKET BUTTON	4				
26	1WD-F1688-00	BRACKET, REAR STAY	1				
27	1WD-F1689-00	BRACKET, REAR STAY 2	1				
28	90387-066J9	COLLAR	4				
29	90387-068L9	COLLAR	2				
30	95602-06200	NUT, SELF-LOCKING	4				
31	1WD-F1621-00	FLAP	1				
32	90109-05003	BOLT	2				
33	1WD-F163A-00	COVER, REAR FENDER 1	1				
34	90269-06081	RIVET	4				

FIG. 19 SIDE COVER

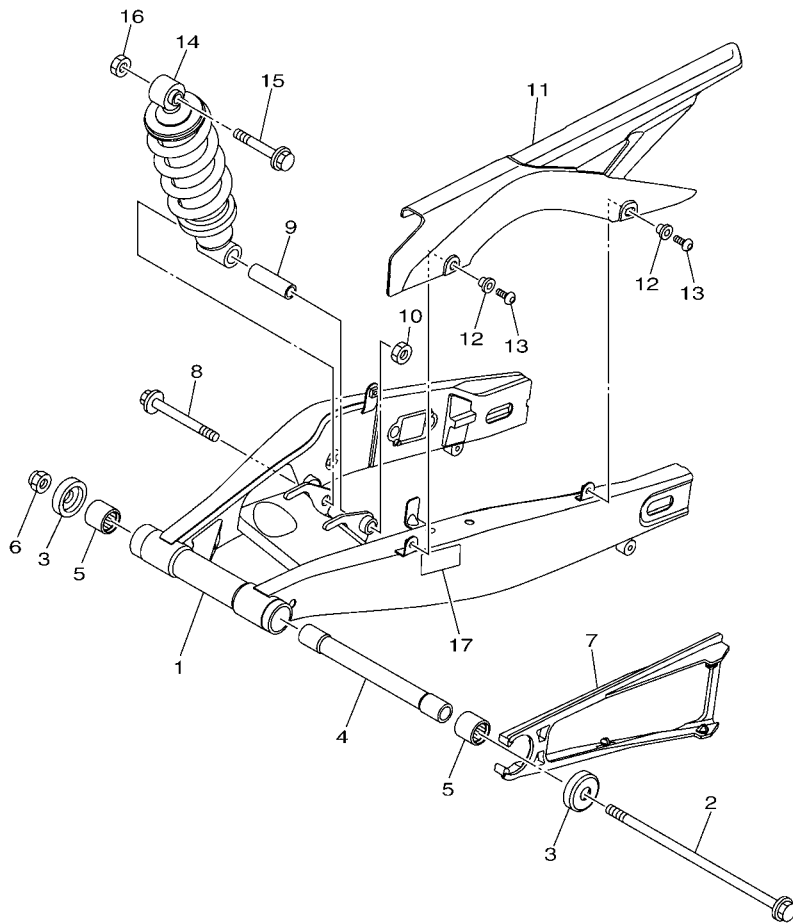


REF. NO.	PART NO.	DESCRIPTION	2YD1	REMARKS
1	1WD-XF171-30-P1	COVER, SIDE 1	1	UR FOR DPBMC
	1WD-XF171-20-P0	COVER, SIDE 1	1	UR FOR SMX
	1WD-XF171-20-P2	COVER, SIDE 1	1	UR FOR VRC1
2	90183-05807	.NUT, SPRING	5	
3	90183-050A7	.NUT, SPRING	1	
4	90480-12808	.GROMMET	1	
5	90387-06899	.COLLAR	1	
6	1WD-F17F1-00	.GRAPHIC, 1	1	UR FOR DPBMC
	1WD-F17F1-10	.GRAPHIC, 1	1	UR FOR SMX
	1WD-F17F1-20	.GRAPHIC, 1	1	UR FOR VRC1
7	1WD-F17F3-00	.GRAPHIC, 3	1	FOR DPBMC
8	31B-F8307-00	.SEAL	1	
9	90269-06081	RIVET	1	
10	90119-06810	BOLT, WITH WASHER	1	
11	1WD-XF172-30-P1	COVER, SIDE 2	1	UR FOR DPBMC
	1WD-XF172-20-P0	COVER, SIDE 2	1	UR FOR SMX
	1WD-XF172-20-P2	COVER, SIDE 2	1	UR FOR VRC1
12	90183-05807	.NUT, SPRING	4	
13	90183-050A7	.NUT, SPRING	1	
14	90480-12808	.GROMMET	1	
15	90387-06899	.COLLAR	1	
16	1WD-F17F2-00	.GRAPHIC, 2	1	UR FOR DPBMC
	1WD-F17F2-10	.GRAPHIC, 2	1	UR FOR SMX
	1WD-F17F2-20	.GRAPHIC, 2	1	UR FOR VRC1
17	1WD-F17F4-00	.GRAPHIC, 4	1	FOR DPBMC
18	31B-F8307-00	.SEAL	1	
19	90269-06081	RIVET	1	

FIG. 19 SIDE COVER



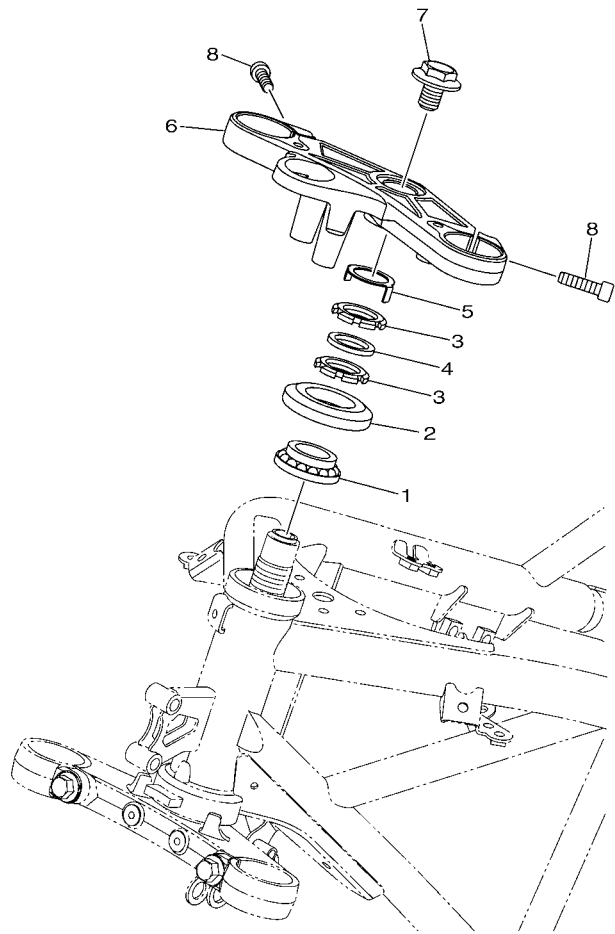
REF. NO.	PART NO.	DESCRIPTION	QTY	REMARKS
20	90119-06810	BOLT, WITH WASHER	1	
21	1WD-F171L-00	MOLE, SIDE COVER 1	1	
22	97707-50016	SCREW, TRUSS HEAD TAPPING	2	
23	90269-06081	RIVET	4	
24	1WD-F171M-00	MOLE, SIDE COVER 2	1	
25	97707-50016	SCREW, TRUSS HEAD TAPPING	3	
26	90269-06081	RIVET	4	
27	1WD-F171N-00	MOLE, SIDE COVER 3	1	
28	97707-50016	SCREW, TRUSS HEAD TAPPING	2	
29	1WD-F1871-00	TANK, RECOVERY	1	
30	90387-06857	COLLAR	1	
31	1WD-F1875-00	CAP	1	
32	3C1-F1828-00	ELBOW	1	
33	1WD-F1816-00	PIPE 1	1	
34	1WD-F1817-00	PIPE 2	1	
35	90467-08003	CLIP	3	
36	1WD-F172W-00	COVER	1	
37	90111-05003	BOLT,HEX. SOCKET BUTTON	2	
38	1WD-F1731-00-P1	COVER, SIDE 3	1	UR FOR DPBMC
	1WD-F1731-00-P0	COVER, SIDE 3	1	UR FOR SMX
	1WD-F1731-00-P2	COVER, SIDE 3	1	UR FOR VRC1
39	90160-05810	SCREW, ROUND TAPPING	2	
40	1WD-F171E-00	COVER, SIDE 5	1	
41	90111-05003	BOLT,HEX. SOCKET BUTTON	2	
42	1WD-F171X-00	COVER, SIDE 6	1	
43	90111-05003	BOLT,HEX. SOCKET BUTTON	2	
44	1PA-F836B-00	TUNING FORK MARK	1	




 B026431-P200

FIG. 20 REAR ARM & SUSPENSION

REF. NO.	PART NO.	DESCRIPTION	2YD1				REMARKS
1	1WD-F2110-00	REAR ARM COMP.	1				
2	1WD-22141-00	SHAFT, PIVOT	1				
3	1WD-F2129-00	COVER, THRUST 2	2				
4	1WD-F2184-00	BUSH	1				
5	93320-32403	BEARING	2				
6	95602-14200	NUT, SELF-LOCKING	1				
7	1WD-F2151-00	SEAL, GUARD	1				
8	90105-12309	BOLT, FLANGE	1				
9	1WD-F248B-00	COLLAR, ROD 1	1				
10	95602-12100	NUT, U	1				
11	1WD-F2311-00	CASE, CHAIN	1				
12	90387-06242	COLLAR	2				
13	90111-06119	BOLT, HEX. SOCKET BUTTON	2				
14	1WD-F2210-00	SHOCK ABSORBER ASSY, REAR	1				
15	90105-12093	BOLT, FLANGE	1				
16	95602-12100	NUT, U	1				
17	1WD-F1668-00	LABEL, TIRE	1				




 1WD1460-P210

FIG. 21 STEERING

REF. NO.	PART NO.	DESCRIPTION	2YD1				REMARKS
1	93399-999Y3	BEARING	1				
2	5BP-F3416-00	COVER, BALL RACE 2	1				
3	90179-25615	NUT	2				
4	90202-26142	WASHER, PLATE	1				
5	5BP-F3418-00	WASHER, SPECIAL	1				
6	1WD-F3435-00	CROWN, HANDLE	1				
7	90105-14102	BOLT, FLANGE	1				
8	91317-08030	BOLT	2				

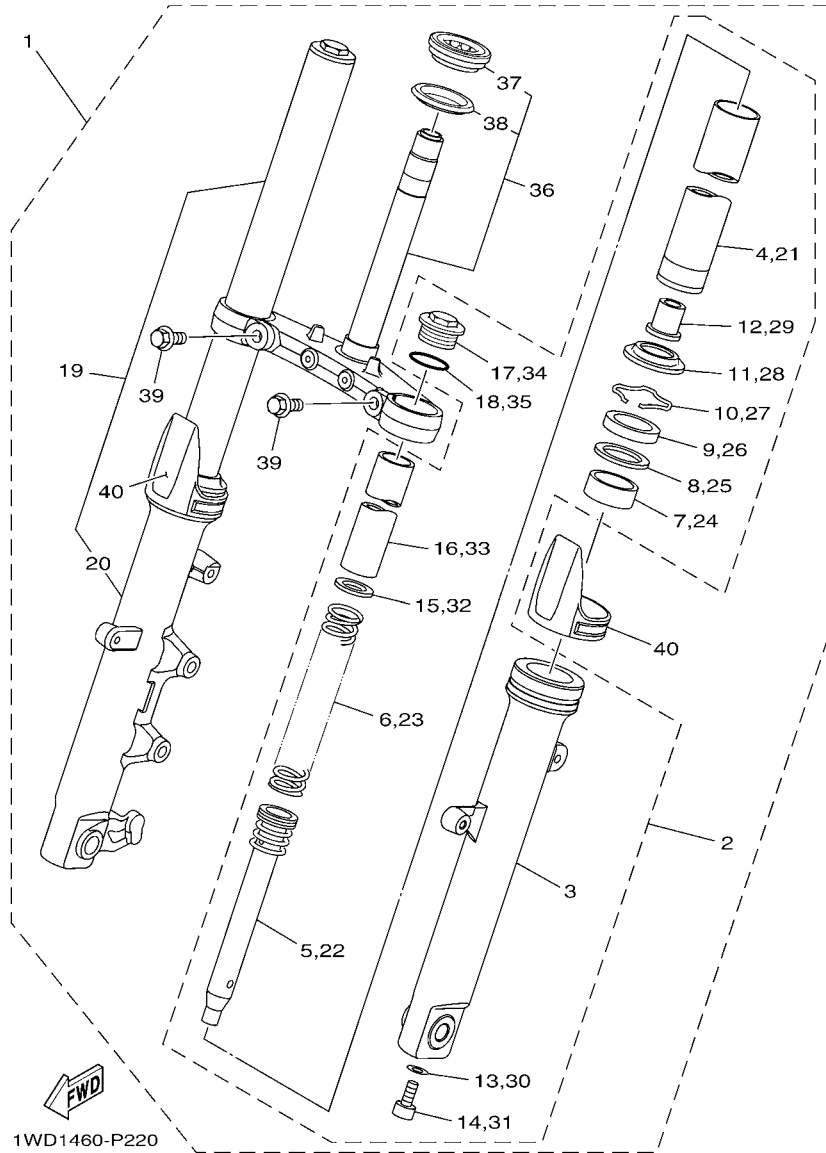


FIG. 22 FRONT FORK

REF. NO.	PART NO.	DESCRIPTION	2YD1				REMARKS
1	1WD-F3100-00	FRONT FORK ASSY	1				
2	1WD-F3102-00	..FRONT FORK ASSY (L.H)	1				
3	1WD-F3126-00	..TUBE, OUTER (L.H)	1				
4	1WD-F3110-00	..INNER TUBE COMP.1	1				
5	1WD-F3170-00	..CYLINDER COMP., FRONT FORK	1				
6	1WD-F3141-00	..SPRING, FRONT FORK	1				
7	45P-F3125-00	..METAL, SLIDE 1	1				
8	45P-F3146-00	..WASHER, OIL SEAL	1				
9	45P-F3145-00	..OIL SEAL	1				
10	45P-F3156-00	..RING, SNAP	1				
11	45P-F3144-00	..SEAL, DUST	1				
12	1WD-F3173-00	..SPINDLE, TAPER	1				
13	509-F3158-L0	..GASKET	1				
14	31B-F3181-00	..BOLT, HEXAGON SOCKET HEAD	1				
15	45P-F3149-00	..WASHER, SPRING UPPER	1				
16	1WD-F3118-00	..SPACER	1				
17	45P-F3111-00	..BOLT, CAP	1				
18	45P-F3188-00	..O-RING	1				
19	1WD-F3103-00	..FRONT FORK ASSY (R.H)	1				
20	1WD-F3136-00	..TUBE, OUTER	1				
21	1WD-F3110-00	..INNER TUBE COMP.1	1				
22	1WD-F3170-00	..CYLINDER COMP., FRONT FORK	1				
23	1WD-F3141-00	..SPRING, FRONT FORK	1				
24	45P-F3125-00	..METAL, SLIDE 1	1				
25	45P-F3146-00	..WASHER, OIL SEAL	1				
26	45P-F3145-00	..OIL SEAL	1				
27	45P-F3156-00	..RING, SNAP	1				

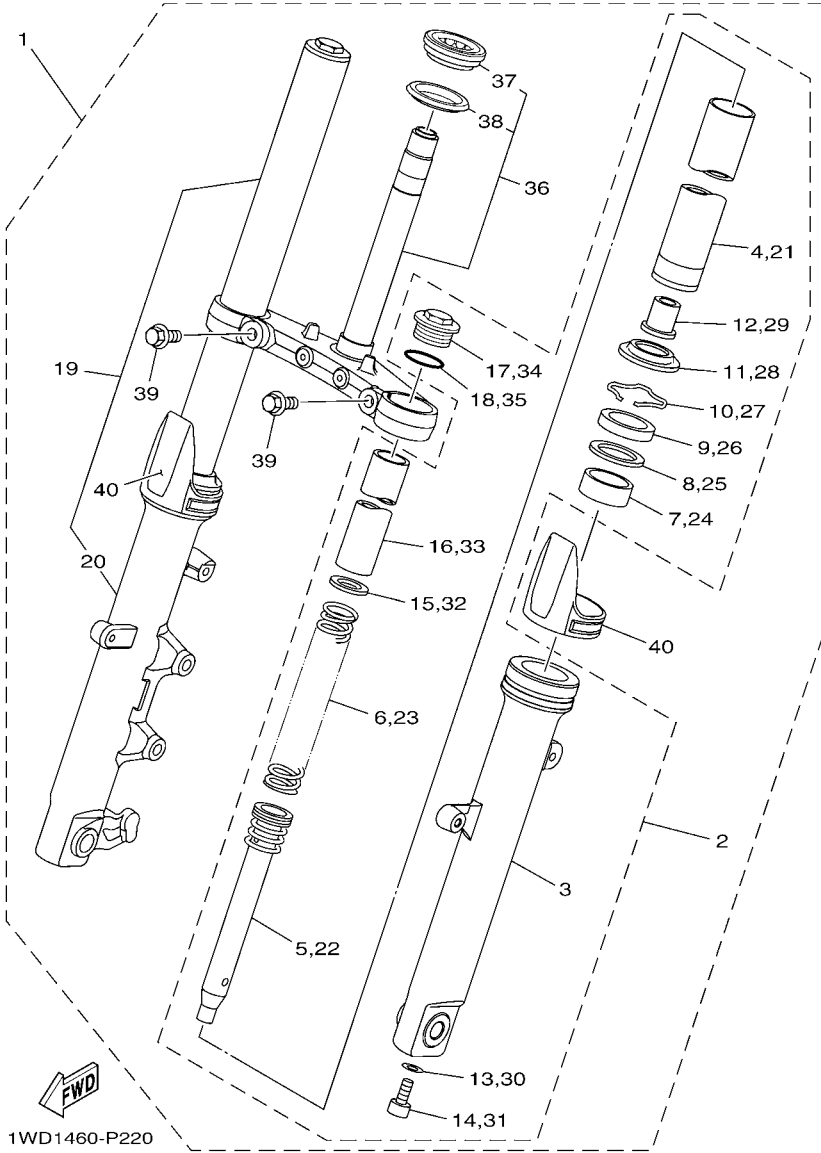


FIG. 22 FRONT FORK

REF. NO.	PART NO.	DESCRIPTION	QTY	REMARKS
28	45P-F3144-00	..SEAL, DUST	1	
29	1WD-F3173-00	..SPINDLE, TAPER	1	
30	509-F3158-L0	..GASKET	1	
31	31B-F3181-00	..BOLT, HEXAGON SOCKET HEAD	1	
32	45P-F3149-00	..WASHER, SPRING UPPER	1	
33	1WD-F3118-00	..SPACER	1	
34	45P-F3111-00	..BOLT, CAP	1	
35	45P-F3188-00	..O-RING	1	
36	1WD-F3340-00	.UNDER BRACKET COMP.	1	
37	93399-99932	..BEARING	1	
38	3FV-23462-00	..SEAL, STEERING	1	
39	45P-F3346-00	.BOLT 1	2	
40	1WS-2331G-00	.COVER	2	

FIG. 23 FUEL TANK

REF. NO.	PART NO.	DESCRIPTION	2YD1				REMARKS
1	1WD-F4110-00	FUEL TANK COMP.	1				
2	1WD-F4188-00	MOLD, FUEL TANK	2				
3	90520-03823	DAMPER, PLATE	1				
4	5D9-F414G-00	SEAL	2				
5	45P-F414H-00	DAMPER, PLATE 1	1				
6	1WD-F412Y-00	BRACKET, TANK FITTING	1				
7	1WD-F4339-00	GROMMET	2				
8	90387-06299	COLLAR	2				
9	90201-06380	WASHER PLAIN	2				
10	95822-06025	BOLT, FLANGE	2				
11	95812-06012	BOLT, FLANGE	2				
12	1WD-F4191-00	BRACKET, FUEL TANK 1	1				
13	90480-15807	GROMMET	2				
14	90387-06299	COLLAR	2				
15	90201-06380	WASHER PLAIN	2				
16	95822-06025	BOLT, FLANGE	2				
17	95022-08014	BOLT, FLANGE	2				
18	1WD-WF461-00	CAP ASSY	1				
19	90110-05806	BOLT, HEXAGON SOCKET HEAD	3				
20	91312-05010	BOLT	1				
21	90480-01558	GROMMET	2				
22	1WD-F41B1-00-P1	COVER, TANK	1				MS1 FOR DPBMC
	1WD-F41B1-00-P0	COVER, TANK	1				MBL2 FOR SMX,VRC1
23	90480-12808	GROMMET	1				
24	90387-06899	COLLAR	1				
25	90111-06117	BOLT,HEX. SOCKET BUTTON	1				
26	97707-50012	SCREW, TRUSS HEAD TAPPING	4				

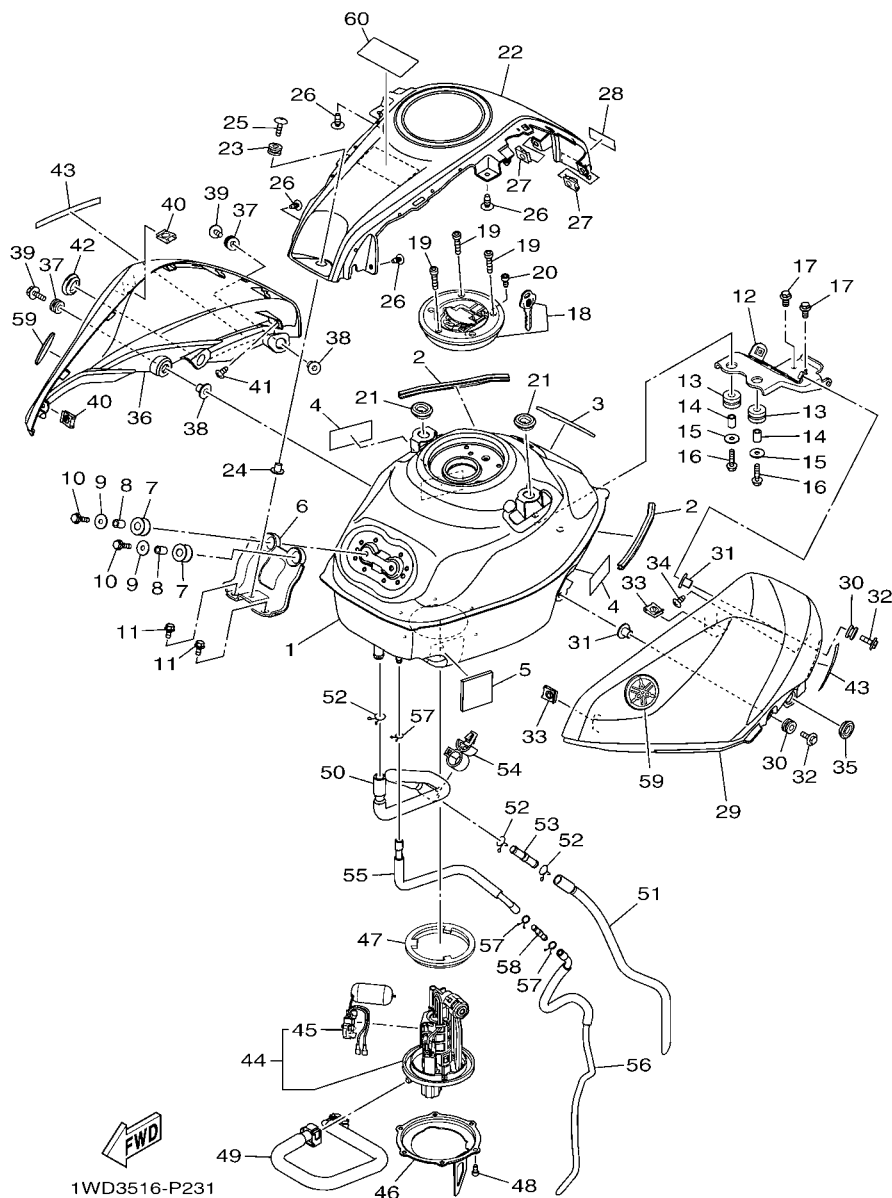


FIG. 23 FUEL TANK

REF. NO.	PART NO.	DESCRIPTION	2YD1				REMARKS
27	90183-05807	NUT, SPRING	2				
28	1WD-F414G-00	SEAL	1				
29	1WD-F4129-00-P1	COVER, SIDE 1	1				UR FOR DPBMC
	1WD-F4129-00-P0	COVER, SIDE 1	1				UR FOR SMX
	1WD-F4129-00-P2	COVER, SIDE 1	1				UR FOR VRC1
30	90480-12808	GROMMET	2				
31	90387-06899	COLLAR	2				
32	90119-05020	BOLT, WITH WASHER	2				
33	90183-05807	NUT, SPRING	2				
34	97707-50012	SCREW, TRUSS HEAD TAPPING	1				
35	90480-01559	GROMMET	1				
36	1WD-F4139-00-P1	COVER, SIDE 2	1				UR FOR DPBMC
	1WD-F4139-00-P0	COVER, SIDE 2	1				UR FOR SMX
	1WD-F4139-00-P2	COVER, SIDE 2	1				UR FOR VRC1
37	90480-12808	GROMMET	2				
38	90387-06899	COLLAR	2				
39	90119-05020	BOLT, WITH WASHER	2				
40	90183-05807	NUT, SPRING	2				
41	97707-50012	SCREW, TRUSS HEAD TAPPING	1				
42	90480-01559	GROMMET	1				
43	1WD-F414E-00	SEAL 2	2				
44	1WD-E3907-10	FUEL PUMP COMP.	1				
45	1WD-H5752-00	.SENDER UNIT ASSY, FUEL METER	1				
46	1WD-F4491-00	BRACKET, FUEL PUMP	1				
47	3C1-F4486-00	O-RING	1				
48	91312-05010	BOLT	6				
49	1WD-E3971-00	PIPE, FUEL 1	1				

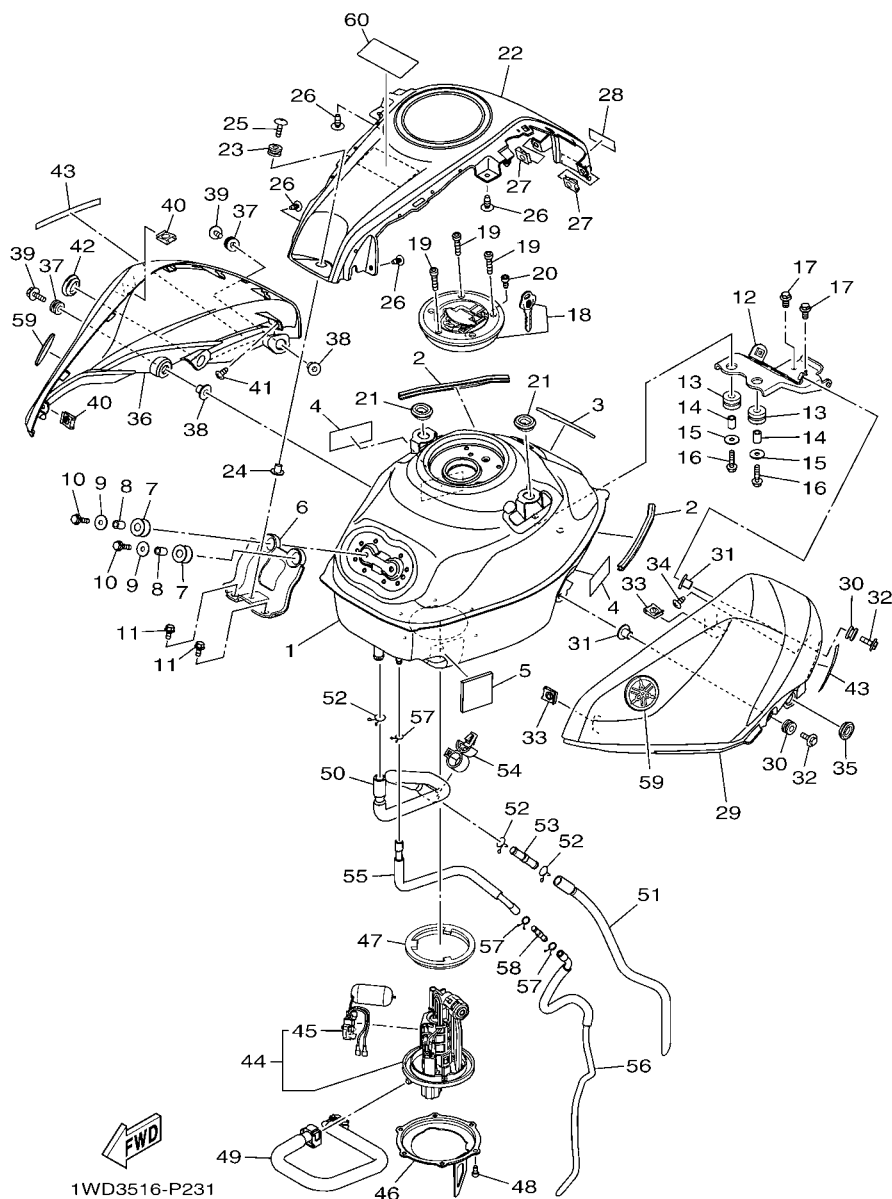
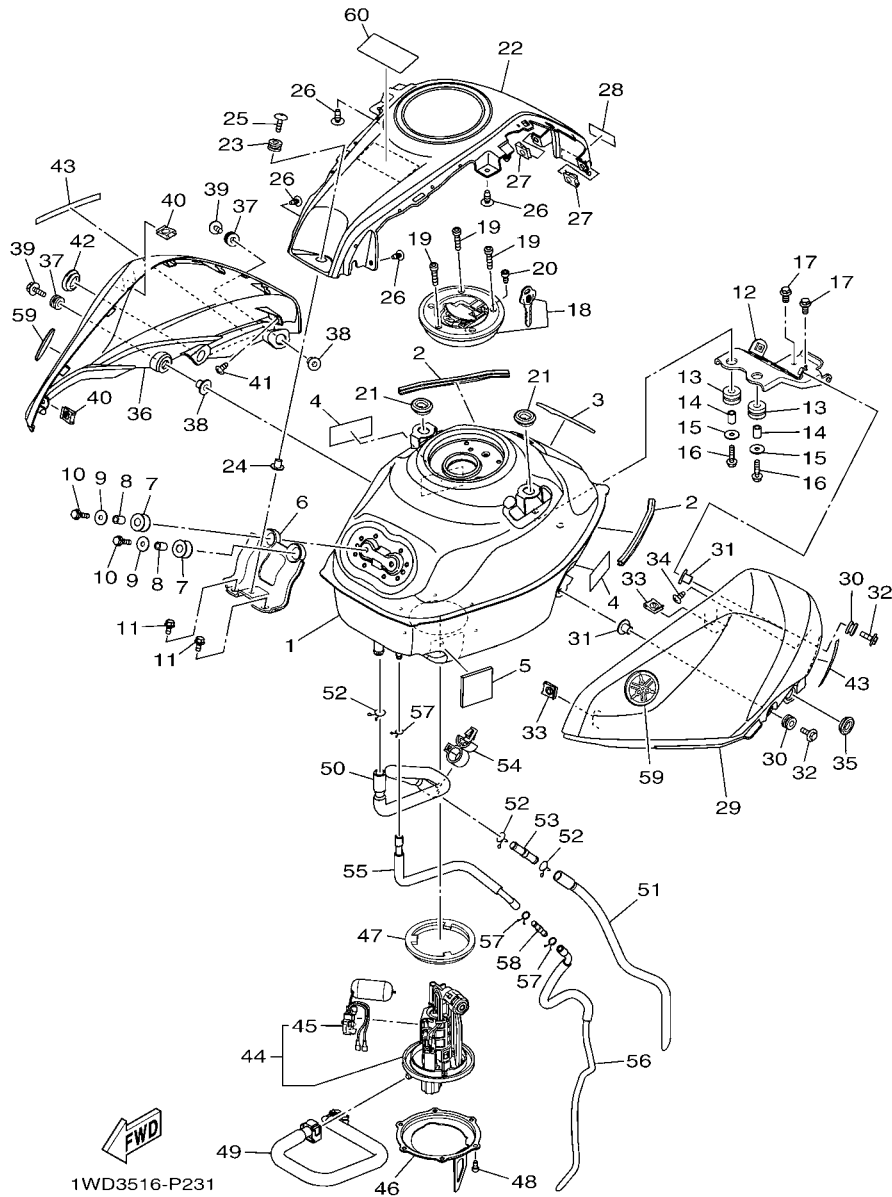


FIG. 23 FUEL TANK

REF. NO.	PART NO.	DESCRIPTION	2YD1				REMARKS
50	1WD-F4312-00	PIPE 2	1				
51	1WD-F4314-00	PIPE 4	1				
52	90467-15012	CLIP	3				
53	1WD-F4376-00	PIPE, JOINT 1	1				
54	90464-16012	CLAMP	1				
55	1WD-F4313-00	PIPE 3	1				
56	1WD-F4315-00	PIPE 5	1				
57	90467-09006	CLIP	3				
58	4XY-14568-00	JOINT	1				
59	1WD-F413B-00	EMBLEM	2				
60	26P-21568-10	LABEL, WARNING	1				



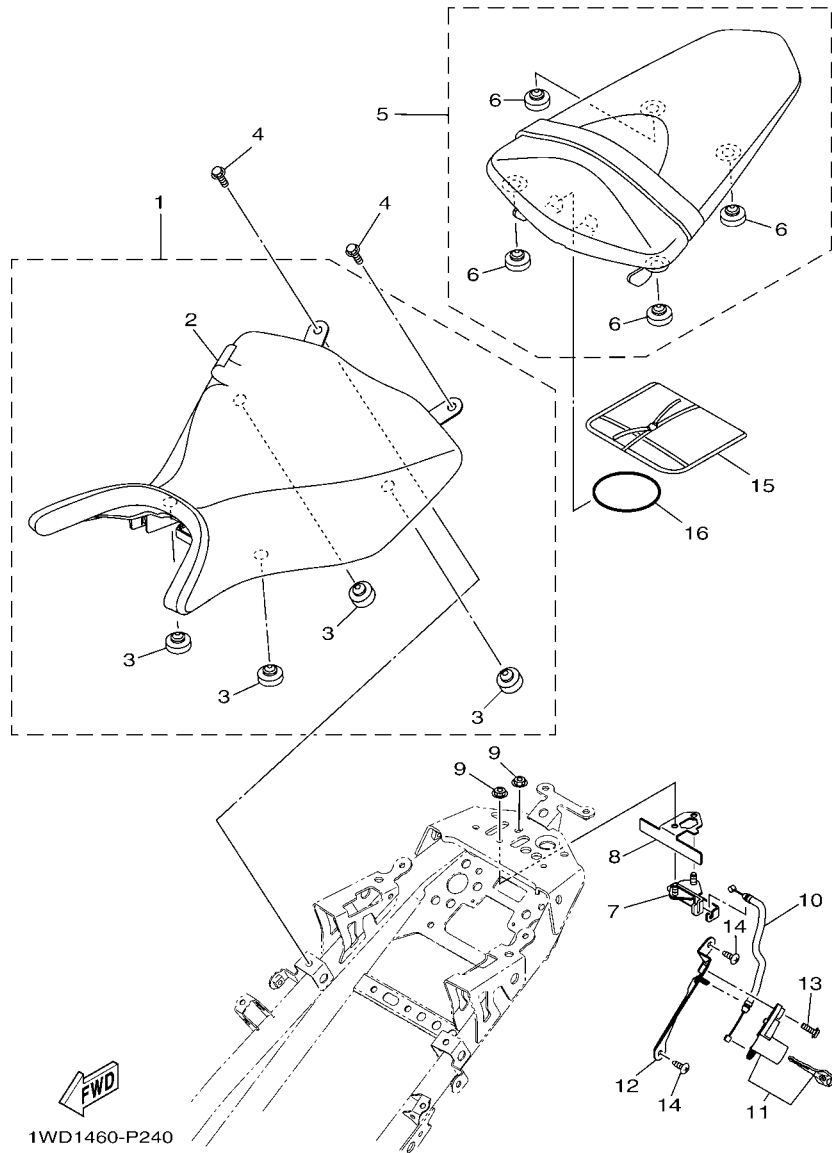
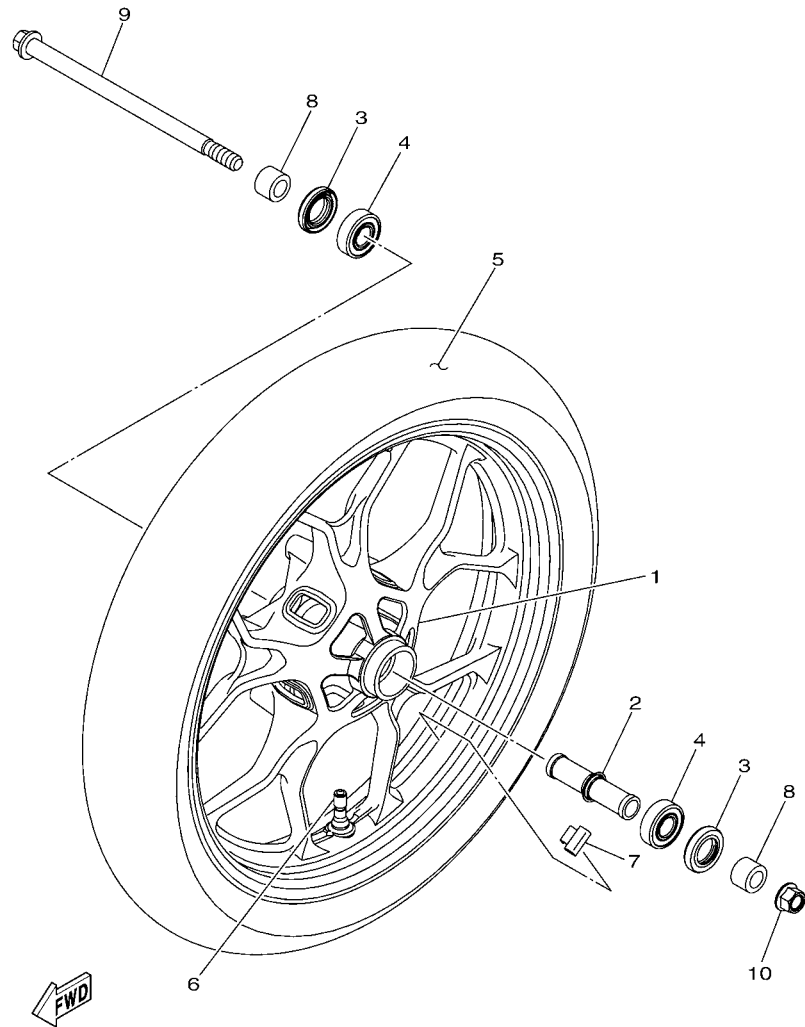


FIG. 24 SEAT

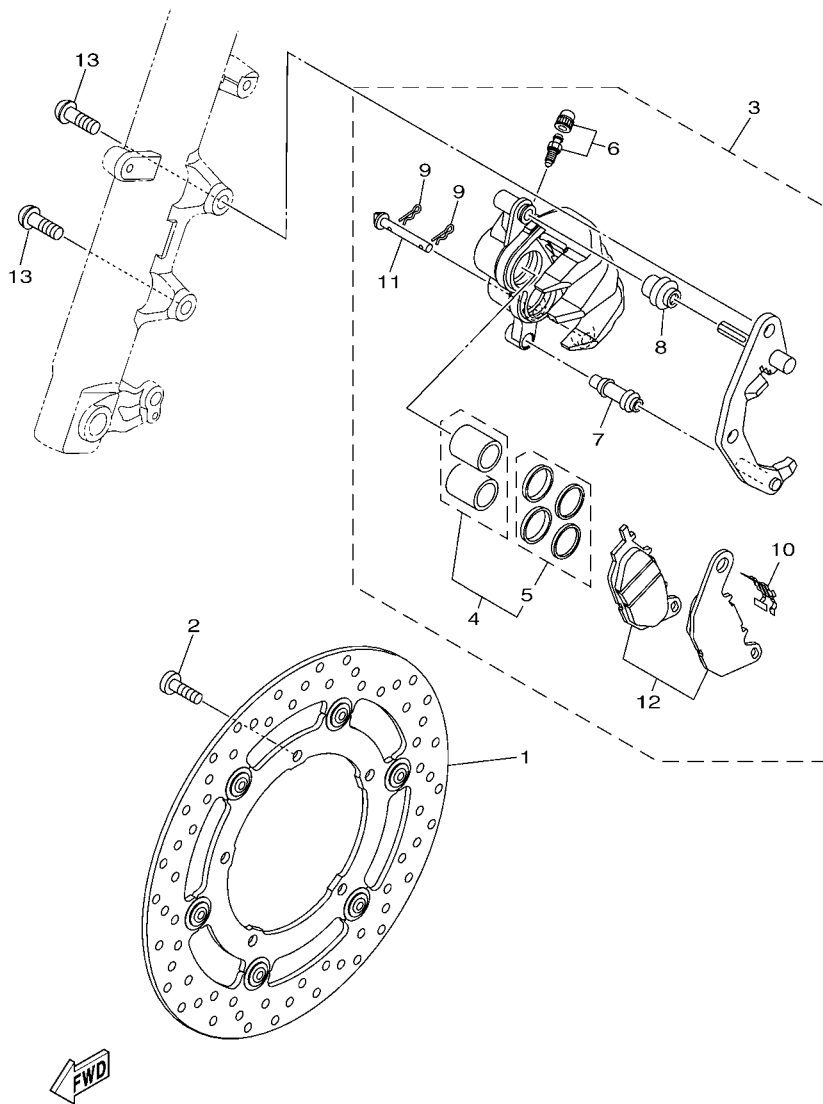
REF. NO.	PART NO.	DESCRIPTION	2YD1				REMARKS
1	1WD-F4710-00	SINGLE SEAT ASSY	1				
2	1WD-F4711-00	.COVER, SINGLE SEAT	1				
3	5BP-F4741-00	.PAD, SEAT	4				
4	95022-06012	BOLT, FLANGE	2				
5	1WD-F4750-00	TANDEM SEAT ASSY	1				
6	3C1-F4741-00	.PAD, SEAT	4				
7	1WD-F4780-00	SEAT LOCK ASSY	1				
8	1WD-F4792-00	PLATE	1				
9	95707-06500	NUT, FLANGE	2				
10	1WD-F478E-00	CABLE, SEAT LOCK	1				
11	1WD-WF479-00	ROTOR SUB ASSY WITH KEY	1				
12	1WD-F117K-00	STAY, LOCK	1				
13	90159-06054	SCREW, WITH WASHER	1				
14	97702-50016	SCREW, TAPPING	2				
15	1WD-F8100-00	TOOL KIT	1				
16	5TL-H2131-00	BAND, BATTERY	1				



1WD1460-P250

FIG. 25 FRONT WHEEL

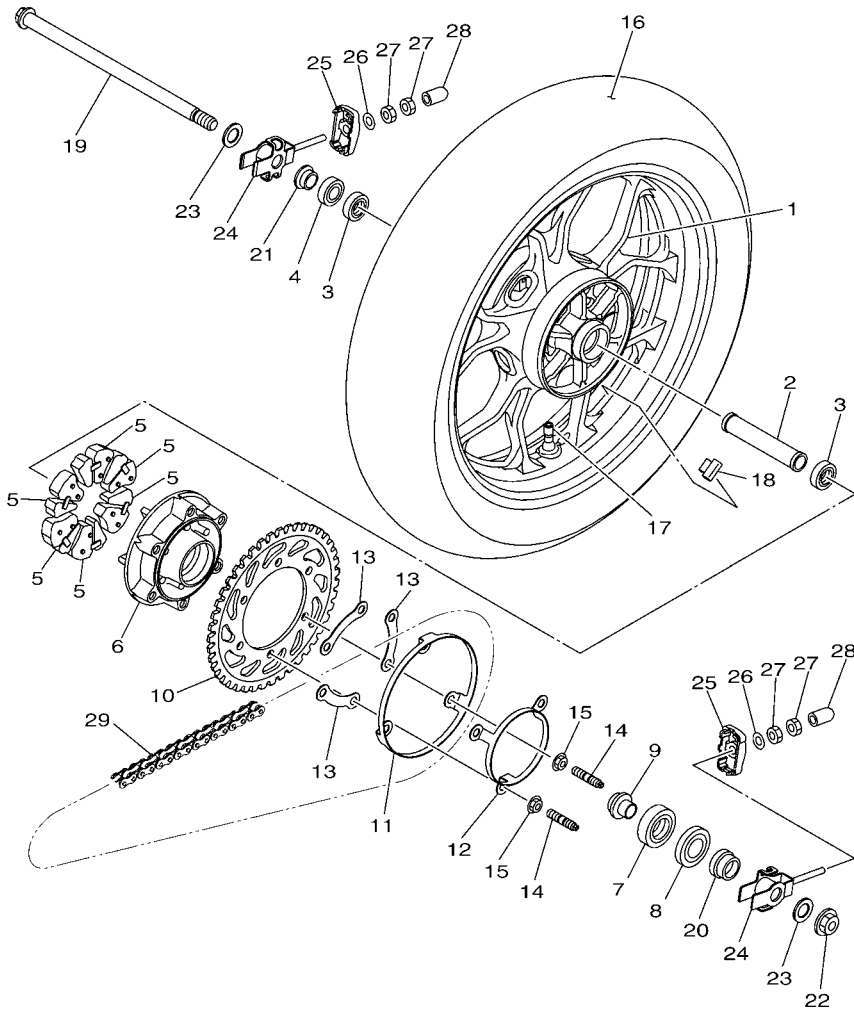
REF. NO.	PART NO.	DESCRIPTION	2YD1				REMARKS
1	1WD-F5168-00-P0	CAST WHEEL, FRONT	1				UR DPBM15
	1WD-F5168-00-0X	CAST WHEEL, FRONT	1				UR LGB/DRSC
2	1WD-F510C-00	COLLAR ASSY.	1				
3	93106-26815	OIL SEAL	2				
4	93306-302X4	BEARING	2				
5	94111-17801	TIRE (110/70-17M/C 54S RX-01F)	1				INOUE
6	93900-00828	VALVE, RIM	1				
7	5MT-25398-00	BALANCER, WHEEL (10G)	1				UN
	5MT-25398-10	BALANCER, WHEEL (20G)	1				UN
	5MT-25398-20	BALANCER, WHEEL (30G)	1				UN
8	1PA-F5386-00	COLLAR, SPROCKET AXLE	2				
9	1WD-25181-00	AXLE, WHEEL	1				
10	95602-14200	NUT, SELF-LOCKING	1				



1WD1460-P260

FIG. 26 FRONT BRAKE CALIPER

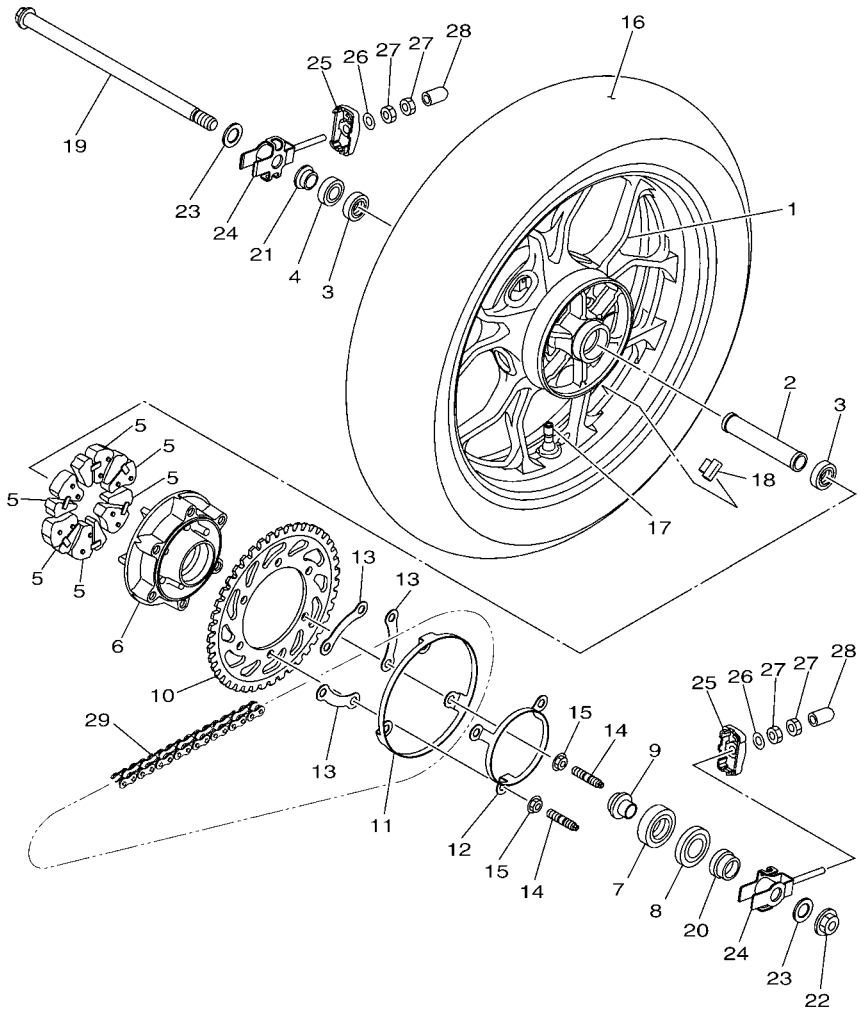
REF. NO.	PART NO.	DESCRIPTION	2YD1				REMARKS
1	1WD-F581U-00	DISK BRAKE ASSY (RIGHT)	1				
2	90111-08815	BOLT,HEX. SOCKET BUTTON	5				
3	1WD-F580U-01	CALIPER ASSY (RIGHT)	1				
4	1WD-25802-00	.PISTON ASSY, CALIPER	1				
5	1WD-25803-00	..CALIPER SEAL KIT	1				
6	4C9-W0048-00	.BLEED SCREW KIT	1				
7	5YP-F5937-00	.BOOT 2	1				
8	5YP-F5917-00	.BOOT, CALIPER	1				
9	5YP-F5925-01	.CLIP	2				
10	1WD-F5919-00	.SUPPORT, PAD	1				
11	5YP-F5924-00	.PIN, PAD	1				
12	1WD-25805-00	.BRAKE PAD KIT	1				
13	90149-10804	SCREW	2				



FWD
1WD1460-P270

FIG. 27 REAR WHEEL

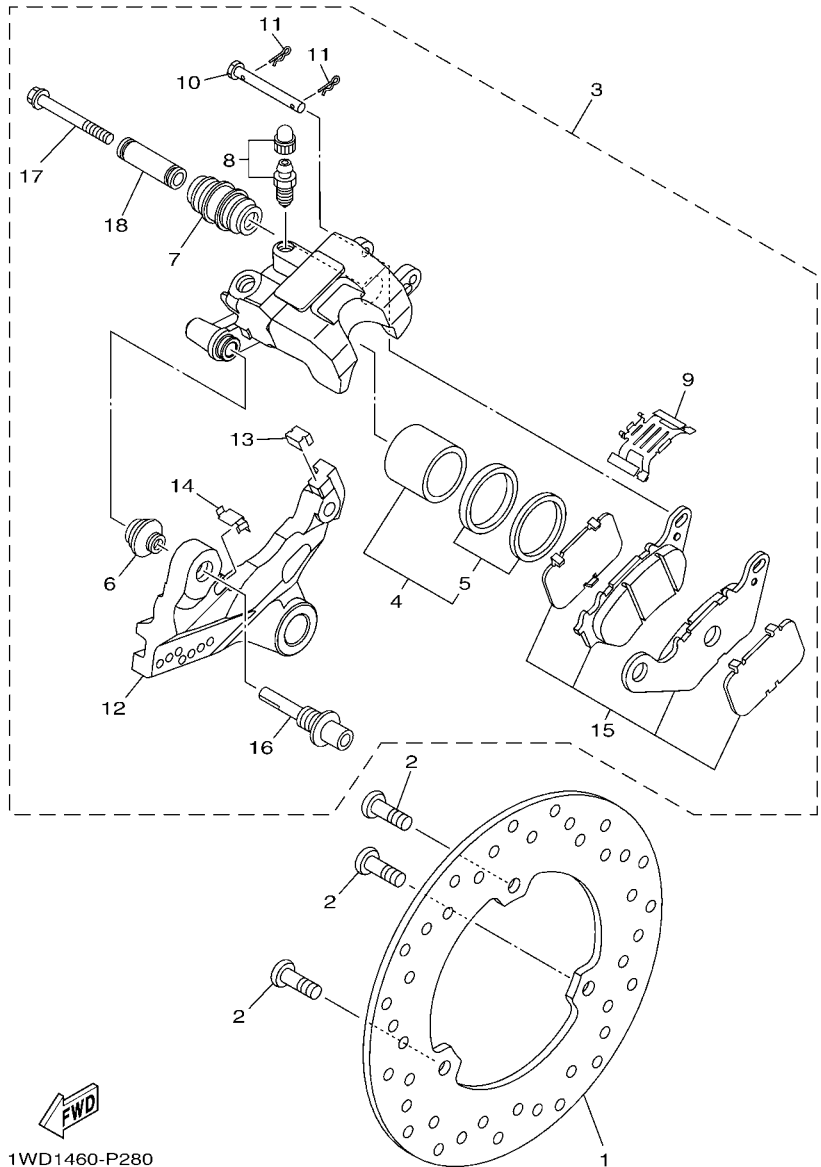
REF. NO.	PART NO.	DESCRIPTION	2YD1			REMARKS
1	1WD-F5338-00-P0	CAST WHEEL, REAR	1			UR DPBM15
	1WD-F5338-00-0X	CAST WHEEL, REAR	1			UR LGB/DRSC
2	90387-17810	COLLAR	1			
3	93306-20314	BEARING	2			
4	93106-23002	OIL SEAL	1			
5	1WD-F5364-00	DAMPER	6			
6	1WD-F5366-00-P0	CLUTCH, HUB	1			FOR DPBMC
	1WD-F5366-00-98	CLUTCH, HUB	1			LGB FOR SMX,VRC1
7	93306-30450	BEARING	1			
8	93106-38046	OIL SEAL	1			
9	1WD-F5377-00	COLLAR, WHEEL	1			
10	1WD-F5443-00	SPROCKET, DRIVEN (43T)	1			
11	1WD-F537W-00	BRACKET 1	1			
12	1WD-F537X-00	BRKT 2	1			
13	1WD-F539F-00	PLATE 1	3			
14	90116-10065	BOLT, STUD	6			
15	95602-10200	NUT, U FLANGE	6			
16	94114-17802	TIRE (140/70-17M/C 66S RX-01R)	1			INOUE
17	93900-00828	VALVE, RIM	1			
18	5MT-25398-00	BALANCER, WHEEL (10G)	1			UN
	5MT-25398-10	BALANCER, WHEEL (20G)	1			UN
	5MT-25398-20	BALANCER, WHEEL (30G)	1			UN
19	1WD-25381-00	AXLE, WHEEL	1			
20	1WD-F5386-00	COLLAR, SPROCKET AXLE	1			
21	1WD-F5383-00	COLLAR, WHEEL	1			
22	95602-16200	NUT, SELF-LOCKING	1			
23	90201-17809	WASHER, PLATE	2			



1WD1460-P270

FIG. 27 REAR WHEEL

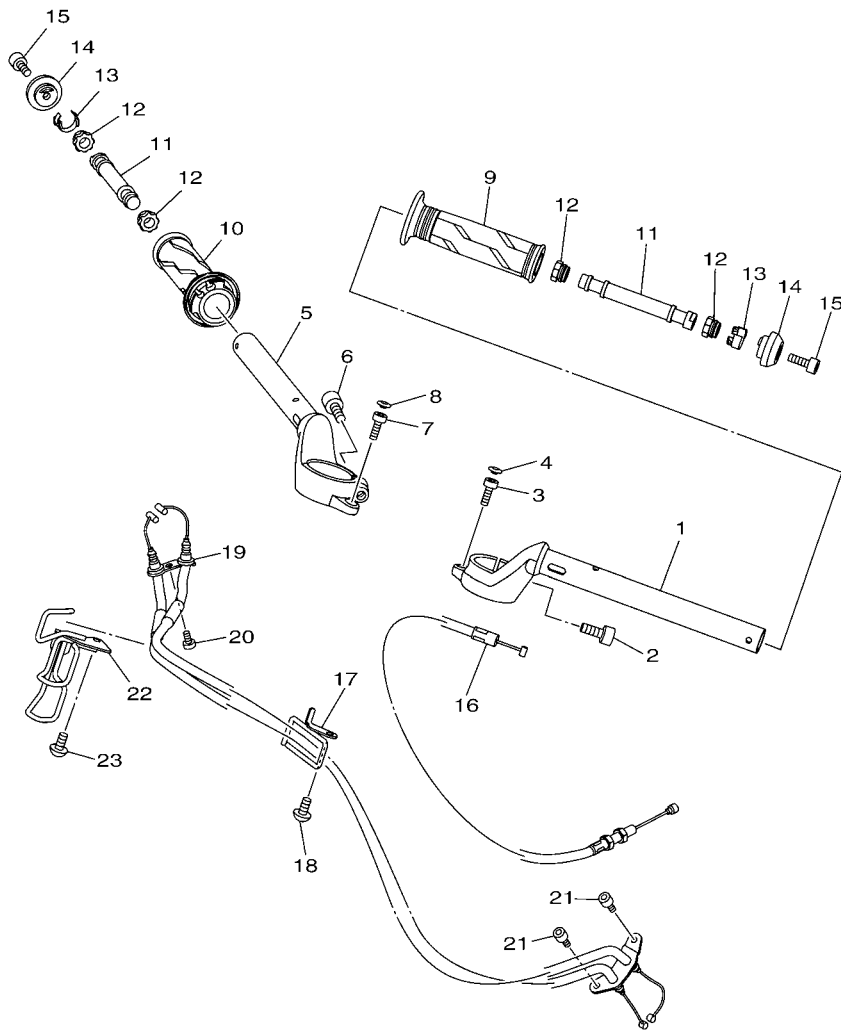
REF. NO.	PART NO.	DESCRIPTION	2YD1				REMARKS
24	1WD-F5388-00	PULLER, CHAIN 1	2				
25	1WD-F2174-00	END 1	2				
26	92902-08600	WASHER, PLATE	2				
27	95302-08600	NUT	4				
28	40D-E443G-00	PIPE, DRAIN 2	2				
29	94568-H3112	CHAIN (DID520VF 112LE)	1				



1WD1460-P280

FIG. 28 REAR BRAKE CALIPER

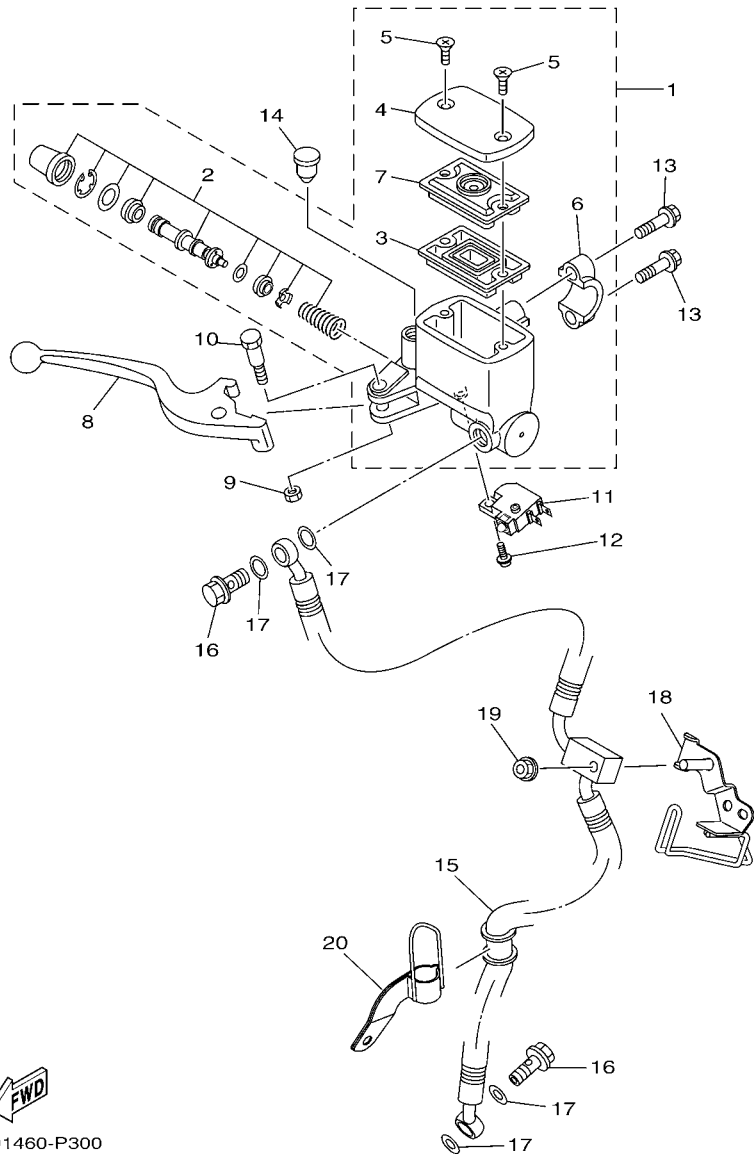
REF. NO.	PART NO.	DESCRIPTION	2YD1				REMARKS
1	1WD-F582W-00	DISK, REAR BRAKE 2	1				
2	90111-08815	BOLT,HEX. SOCKET BUTTON	3				
3	1WD-F580W-01	CALIPER ASSY, REAR 2	1				
4	1WD-25802-50	.PISTON ASSY, CALIPER	1				
5	1WD-25803-50	..CALIPER SEAL KIT	1				
6	5YP-F5917-00	.BOOT, CALIPER	1				
7	34X-25937-00	.BOOT 2	1				
8	5YP-W0048-50	.BLEED SCREW KIT	1				
9	1WD-F5919-50	.SUPPORT, PAD	1				
10	1WD-F5924-50	.PIN, PAD	1				
11	5YP-F5925-01	.CLIP	2				
12	1WD-F5921-50	.BRACKET, SUPPORT	1				
13	1WD-F5939-50	.CLIP, PAD	1				
14	1WD-F5939-60	.CLIP, PAD	1				
15	1WD-25806-00	.BRAKE PAD KIT 2	1				
16	1WD-F5914-50	.PIN, SLIDE	1				
17	5KN-25926-01	.BOLT	1				
18	5TL-F5838-00	.SLEEVE, CALIPER	1				



1WD1460-P290

FIG. 29 STEERING HANDLE & CABLE

REF. NO.	PART NO.	DESCRIPTION	2YD1				REMARKS
1	1WD-F6121-00	HANDLEBAR (LEFT)	1				
2	91317-08020	BOLT	1				
3	91317-06016	BOLT	1				
4	90338-05010	PLUG	1				
5	1WD-F6122-00	HANDLEBAR (RIGHT)	1				
6	91317-08020	BOLT	1				
7	91317-06016	BOLT	1				
8	90338-05010	PLUG	1				
9	2DP-F6241-00	GRIP	1				
10	1WD-F6240-00	GRIP ASSY	1				
11	1WD-F622H-00	WEIGHT	2				
12	1S7-F622F-00	DAMPER, LOCATING 1	4				
13	1S7-F6257-00	STOPPER	2				
14	1WD-F6246-00	END, GRIP	2				
15	91317-06020	BOLT	2				
16	1WD-F6335-00	CABLE, CLUTCH	1				
17	1WD-F6131-00	GUIDE, CABLE 1	1				
18	92012-06012	BOLT, BUTTON HEAD	1				
19	1WD-F6301-00	THROTTLE CABLE ASSY	1				
20	98507-05012	SCREW, PAN HEAD	1				
21	91312-05010	BOLT	2				
22	1WD-F6132-00	GUIDE, CABLE 2	1				
23	92012-06012	BOLT, BUTTON HEAD	1				




 1WD1460-P300

FIG. 30 FRONT MASTER CYLINDER

REF. NO.	PART NO.	DESCRIPTION	2YD1				REMARKS
1	1WD-F5870-00	MASTER CYLINDER SUB ASSY	1				
2	1WD-F5807-00	.CYLINDER KIT, MASTER	1				
3	5RB-25854-00	.DIAPHRAGM, RESERVOIR	1				
4	1WD-F5852-00	.CAP, RESERVOIR	1				
5	36Y-2589H-00	.SCREW	2				
6	3RW-F5867-00	.BRACKET, MASTER CYLINDER	1				
7	3C1-F5855-00	.BUSH,DIAPHRAGM	1				
8	1WD-H3922-00	LEVER 2	1				
9	95602-06100	NUT, U	1				
10	90109-06577	BOLT	1				
11	1HP-83980-01	FRONT STOP SWITCH ASSY	1				
12	97602-04212	SCREW, PAN HEAD WITH WASHER	1				
13	95027-06025	BOLT, FLANGE	2				
14	90338-09012	PLUG	1				
15	1WD-F5872-00	HOSE, BRAKE 1	1				
16	90401-10812	BOLT, UNION	2				
17	90201-10118	WASHER, PLATE	4				
18	1WD-F5875-00	HOLDER, BRAKE HOSE 1	1				
19	95702-06500	NUT, FLANGE	1				
20	1WD-F5876-00	HOLDER, BRAKE HOSE 2	1				

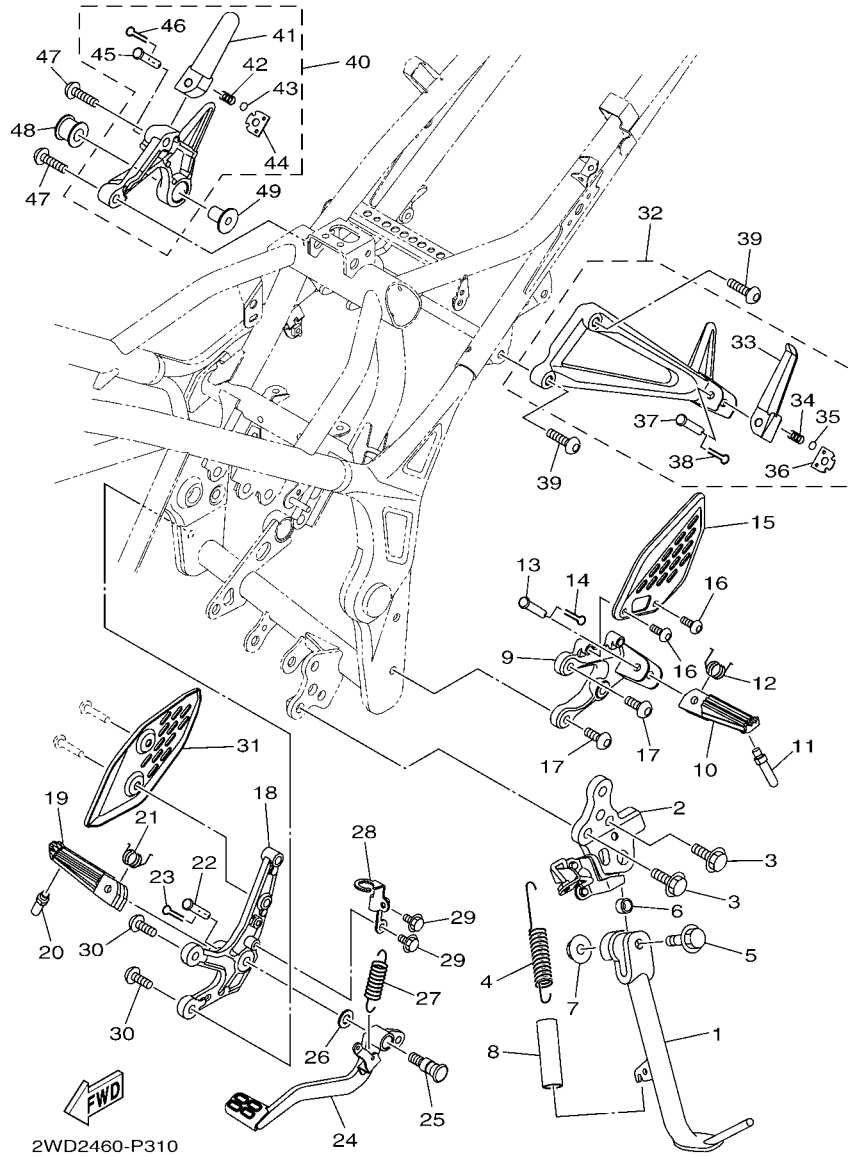


FIG. 31 STAND & FOOTREST

REF. NO.	PART NO.	DESCRIPTION	2YD1				REMARKS
1	1WD-F7311-00	STAND, SIDE	1				
2	1WD-F7321-10	BRACKET, SIDE STAND	1				
3	95817-10025	BOLT, FLANGE	2				
4	90506-23812	SPRING, TENSION	1				
5	90105-106A7	BOLT, FLANGE	1				
6	90387-10010	COLLAR	1				
7	95602-10200	NUT, U FLANGE	1				
8	90445-217G3	HOSE (L70)	1				
9	1WD-F7442-00	BRACKET 2	1				
10	1WD-F7451-00	FOOTREST	1				
11	1WD-F7435-00	BOLT	1				
12	90508-183B9	SPRING, TORSION	1				
13	90240-08145	PIN, CLEVIS	1				
14	91401-25015	PIN, COTTER	1				
15	1WD-F7445-00	PLATE 1	1				
16	90111-06013	BOLT, HEX. SOCKET BUTTON	2				
17	90109-085G6	BOLT	2				
18	1WD-F7443-00	BRACKET 3	1				
19	1WD-F7461-00	FOOTREST	1				
20	1WD-F7435-00	BOLT	1				
21	90508-183B9	SPRING, TORSION	1				
22	90240-08145	PIN, CLEVIS	1				
23	91401-25015	PIN, COTTER	1				
24	1WD-F7211-00	PEDAL, BRAKE	1				
25	4BP-27261-00	SHAFT	1				
26	90201-10021	WASHER, PLATE	1				
27	90506-26807	SPRING, TENSION	1				

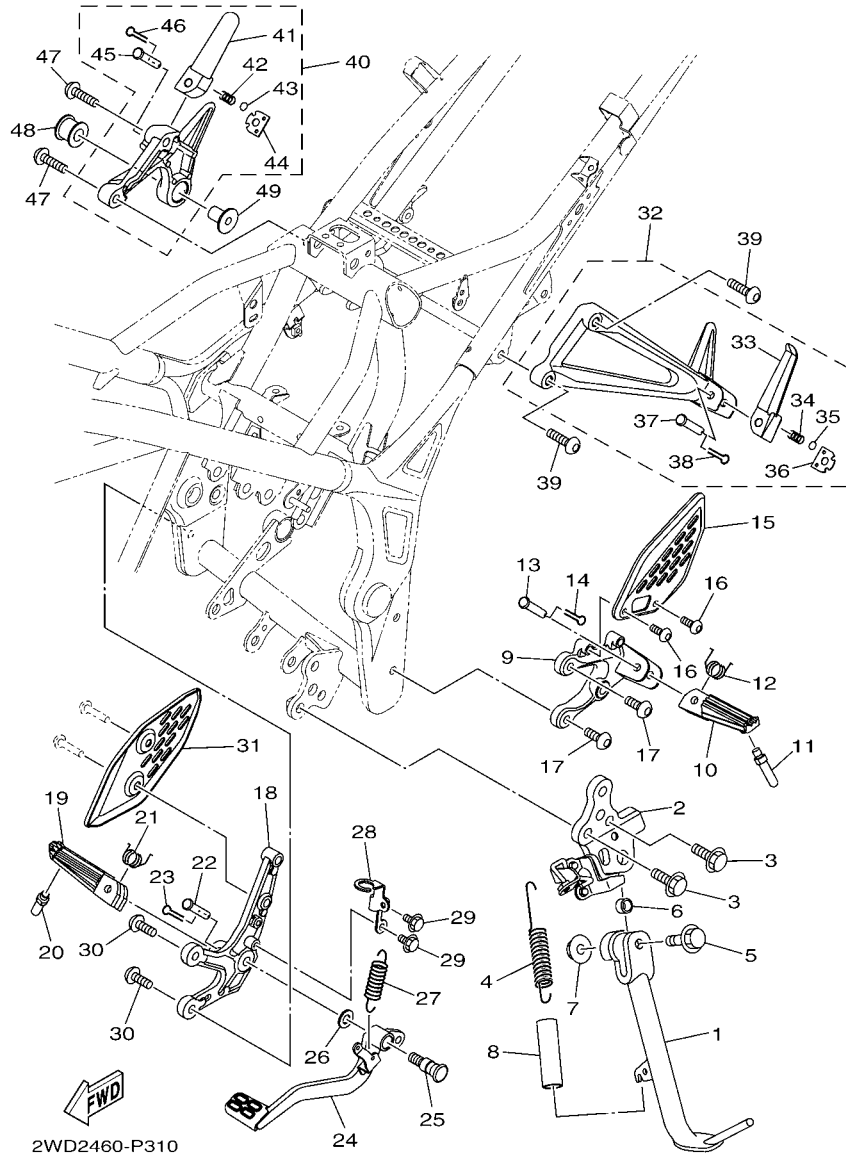


FIG. 31 STAND & FOOTREST

REF. NO.	PART NO.	DESCRIPTION	2YD1				REMARKS
28	1WD-F144G-00	STAY, STOP SWITCH	1				
29	95802-06010	BOLT, FLANGE	2				
30	90109-085G6	BOLT	2				
31	1WD-F7446-00	PLATE 2	1				
32	1WD-F7430-00	REAR FOOTREST ASSY 1	1				
33	1WD-F7431-00	.FOOTREST, REAR 1	1				
34	90501-12743	.SPRING, COMPRESSION	1				
35	93501-04830	.BALL	1				
36	1WD-F7437-00	.WASHER, SPECIAL	1				
37	90240-08145	.PIN, CLEVIS	1				
38	91401-25015	.PIN, COTTER	1				
39	90110-08071	BOLT, HEXAGON SOCKET HEAD	2				
40	1WD-F7440-00	REAR FOOTREST ASSY 2	1				
41	1WD-F7441-00	.FOOTREST, REAR 2	1				
42	90501-12743	.SPRING, COMPRESSION	1				
43	93501-04830	.BALL	2				
44	1WD-F7437-00	.WASHER, SPECIAL	1				
45	90240-08145	.PIN, CLEVIS	1				
46	91401-25015	.PIN, COTTER	1				
47	90110-08071	BOLT, HEXAGON SOCKET HEAD	2				
48	5TP-E4747-00	DAMPER, MUFFLER	1				
49	90387-08813	COLLAR	1				

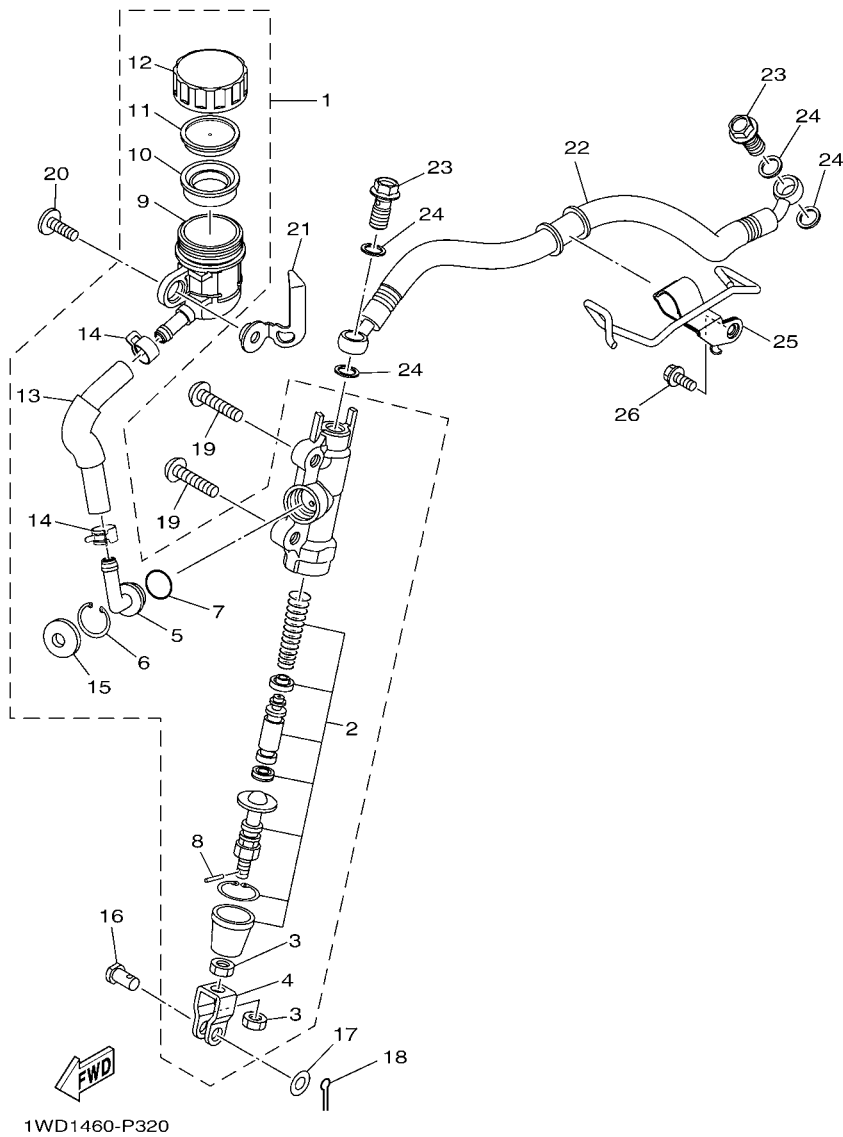


FIG. 32 REAR MASTER CYLINDER

REF. NO.	PART NO.	DESCRIPTION	2YD1				REMARKS
1	1WD-F580E-00	REAR MASTER CYLINDER ASSY	1				
2	1WD-F5808-00	.CYLINDER KIT, MASTER	1				
3	4SS-27218-00	.NUT	2				
4	50C-F7222-00	.JOINT	1				
5	50C-F582A-50	.JOINT	1				
6	50C-F5866-00	.CIRCLIP	1				
7	93210-15620	.O-RING	1				
8	3KW-27234-00	.PIN, BRAKE ROD	1				
9	50C-F5894-10	.TANK, RESERVOIR	1				
10	2VN-F5854-00	.DIAPHRAGM, RESERVOIR	1				
11	50C-F5855-00	.BUSH,DIAPHRAGM	1				
12	1WD-F5852-50	.CAP, RESERVOIR	1				
13	1WD-F5895-50	.HOSE, RESERVOIR	1				
14	90467-12085	.CLIP	2				
15	50C-F589A-00	.COVER, DUST	1				
16	90240-08124	PIN, CLEVIS	1				
17	90201-08083	WASHER, PLATE	1				
18	91401-20012	PIN, COTTER	1				
19	92012-08030	BOLT, BUTTON HEAD	2				
20	90111-06121	BOLT,HEX. SOCKET BUTTON	1				
21	1WD-F582E-00	HOLDER, RESERVE TANK	1				
22	1WD-F5873-00	HOSE, BRAKE 2	1				
23	90401-10812	BOLT, UNION	2				
24	90201-10118	WASHER, PLATE	4				
25	1WD-F5887-00	HOLDER, BRAKE HOSE	1				
26	95827-06014	BOLT, FLANGE	1				

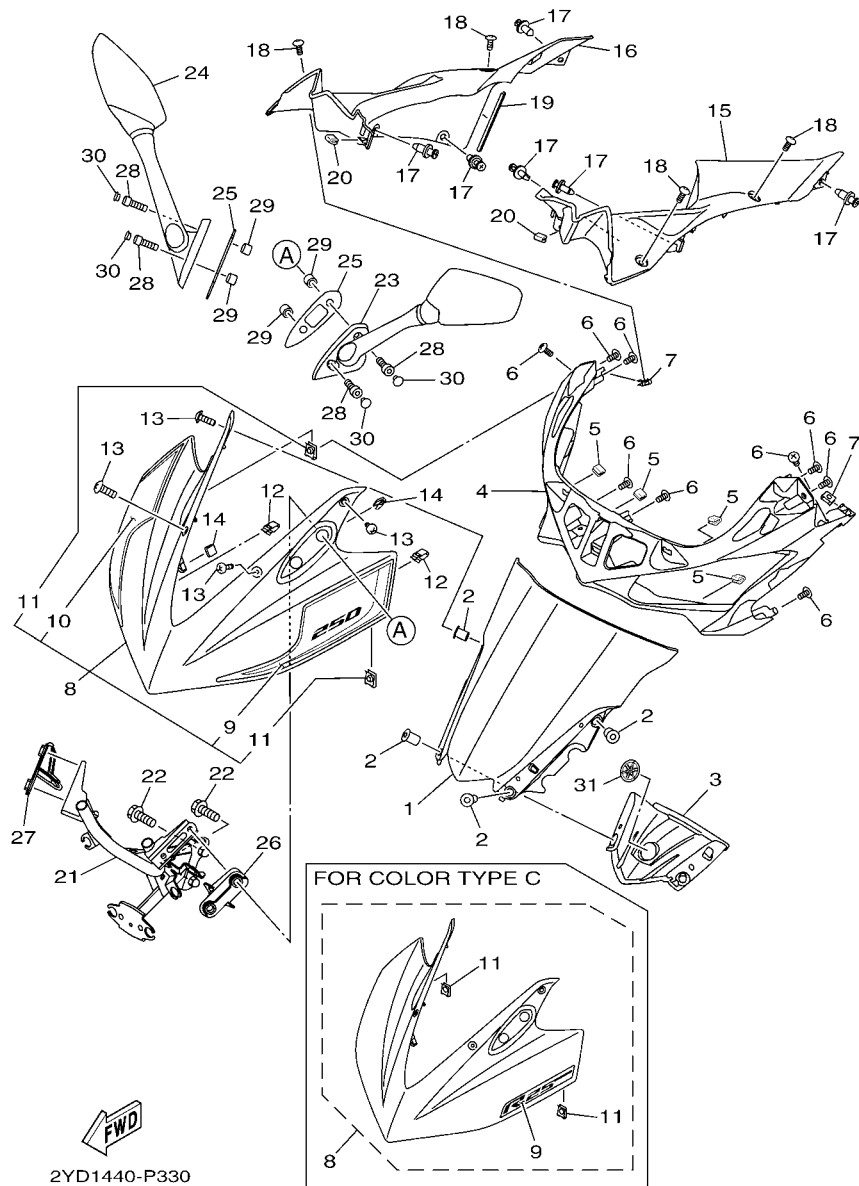


FIG. 33 WINDSHIELD

REF. NO.	PART NO.	DESCRIPTION	2YD1				REMARKS
1	1WD-F8381-00	WINDSHIELD	1				
2	90179-05849	NUT	4				
3	1WD-H3559-00	COVER, METER	1				
4	1WD-F835G-00	BODY, FRONT UPPER 1	1				
5	1WD-F8376-00	TRIM	4				
6	97702-50016	SCREW, TAPPING	9				
7	90183-050A7	NUT, SPRING	2				
8	1WD-XF83F-20-P1	BODY COWLING SUB ASSY	1				UR FOR DPBMC
	1WD-XF83F-10-P0	BODY COWLING SUB ASSY	1				UR FOR SMX
	1WD-XF83F-10-P2	BODY COWLING SUB ASSY	1				UR FOR VRC1
9	1WD-F8391-00	.GRAPHIC 1	1				UR FOR DPBMC
	1WD-F8391-10	.GRAPHIC 1	1				UR FOR VRC1
10	1WD-F8392-00	.GRAPHIC 2	1				UR FOR DPBMC
11	90183-05807	.NUT, SPRING	2				
12	44D-F8379-00	HOOK	2				
13	90150-05023	SCREW, ROUND HEAD	4				
14	1WD-F8376-00	TRIM	2				
15	1WD-F836N-00	PANEL, INNER 4	1				
16	1WD-F836R-00	PANEL, INNER 5	1				
17	90269-06081	RIVET	6				
18	90111-05003	BOLT, HEX. SOCKET BUTTON	4				
19	1WD-F1278-00	MOLD	1				
20	1WD-F8376-00	TRIM	2				
21	1WD-F8356-00	STAY 1	1				
22	95812-08035	BOLT, FLANGE	2				
23	1WD-F6280-10	REAR VIEW MIRROR ASSY (LEFT)	1				
24	1WD-F6290-10	REAR VIEW MIRROR ASSY (RIGHT)	1				

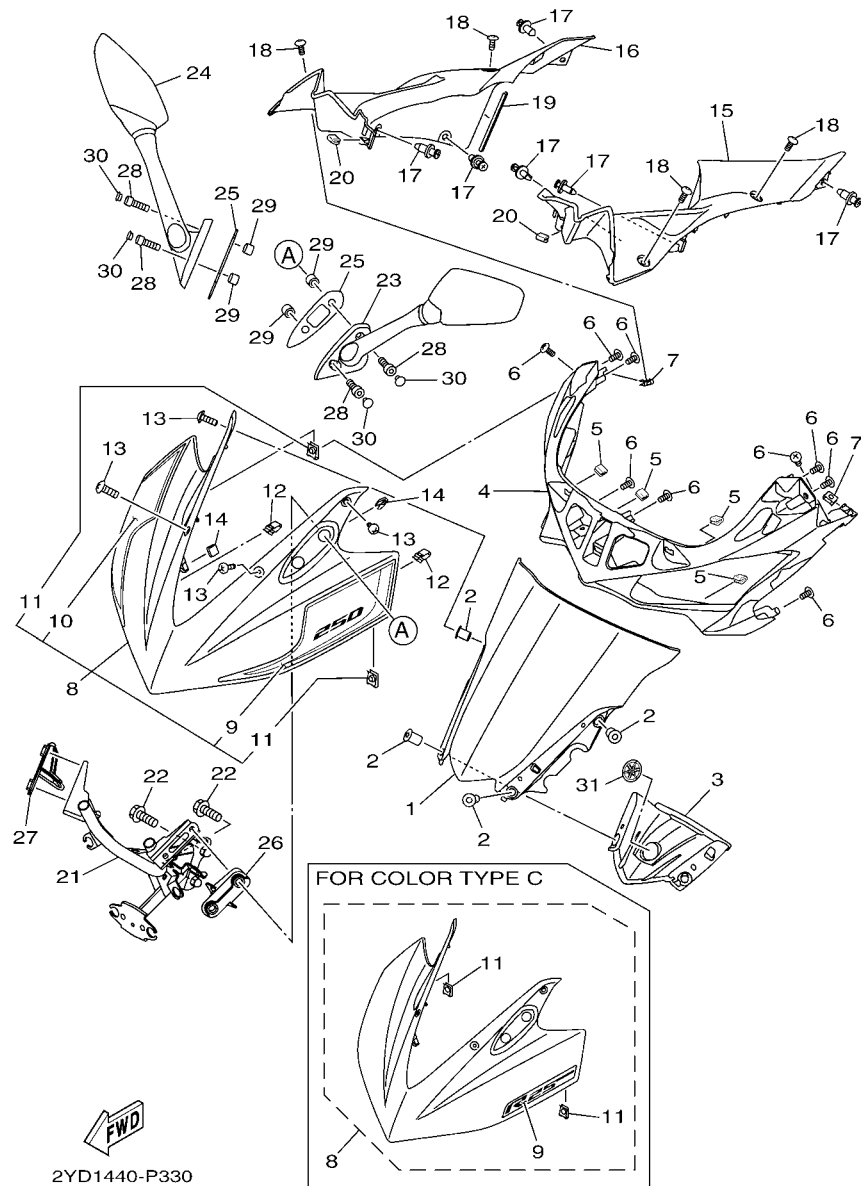
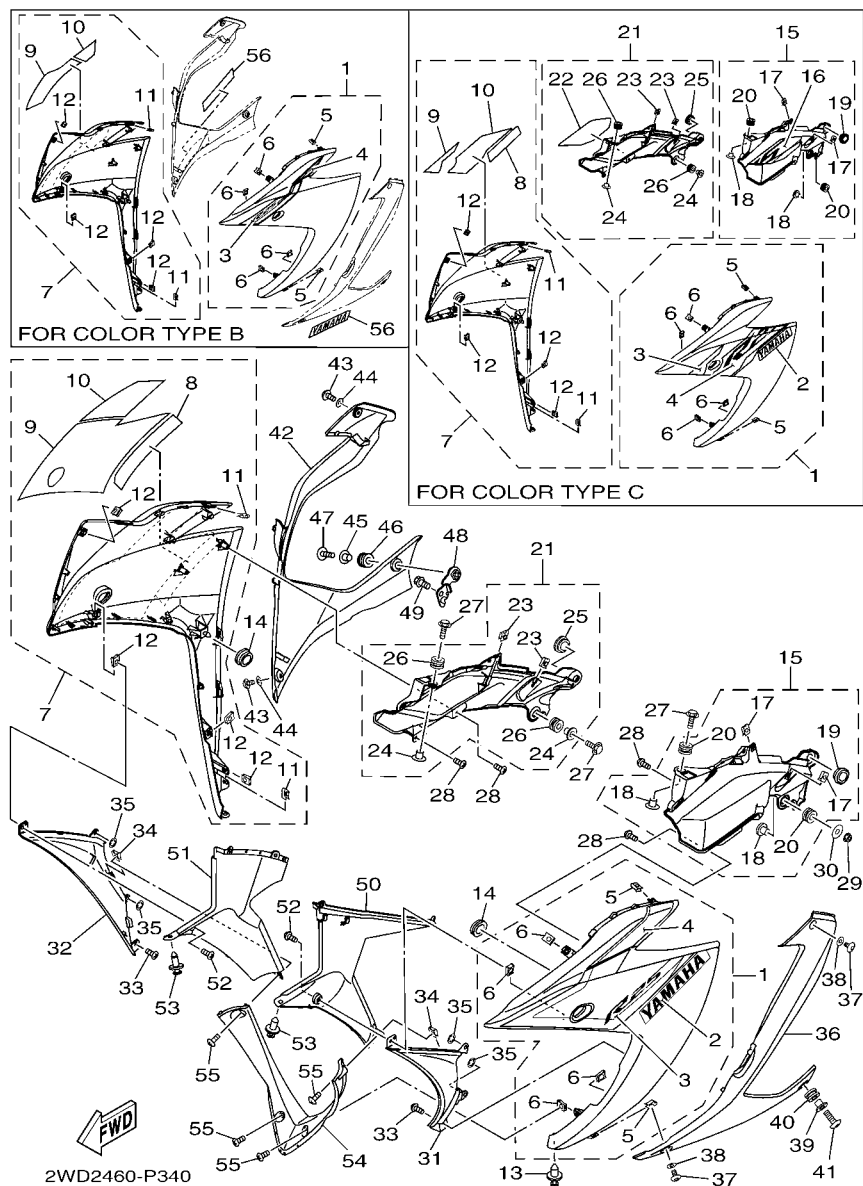


FIG. 33 WINDSHIELD

REF. NO.	PART NO.	DESCRIPTION	2YD1				REMARKS
25	1WD-F8483-00	PLATE, RUBBER 1	2				
26	1WD-F8484-00	PLATE, RUBBER 2	1				
27	1WD-F8485-00	PLATE, RUBBER 3	1				
28	91317-06025	BOLT	4				
29	90387-068C2	COLLAR	4				
30	90338-05010	PLUG	4				
31	1PA-F836B-00	TUNING FORK MARK	1				

FIG. 34 COWLING 1



REF. NO.	PART NO.	DESCRIPTION	2YD1		REMARKS
1	1WD-XF83L-20-P1	BODY, FR. UNDER 1 SUB ASSY	1		UR MS1 FOR DPBMC
	1WD-XF83L-30-P0	BODY, FR. UNDER 1 SUB ASSY	1		UR FOR SMX
	1WD-XF83L-30-P2	BODY, FR. UNDER 1 SUB ASSY	1		UR WM6 FOR VRC1
2	1WD-F8328-00	.EMBLEM	1		UR FOR DPBMC
	1WD-F8328-10	.EMBLEM	1		UR FOR VRC1
3	1WD-F8393-00	.GRAPHIC 3	1		UR FOR DPBMC
	1WD-F8393-10	.GRAPHIC 3	1		UR FOR SMX
	1WD-F8393-20	.GRAPHIC 3	1		UR FOR VRC1
4	1WD-F8398-00	.GRAPHIC 5	1		UR FOR DPBMC
	1WD-F8398-10	.GRAPHIC 5	1		UR FOR SMX
	1WD-F8398-20	.GRAPHIC 5	1		UR FOR VRC1
5	90183-050A7	.NUT, SPRING	2		
6	90183-05807	.NUT, SPRING	4		
7	1WD-XF83M-20-P1	BODY, FR. UNDER 2 SUB ASSY	1		UR MS1 FOR DPBMC
	1WD-XF83M-30-P0	BODY, FR. UNDER 2 SUB ASSY	1		UR FOR SMX
	1WD-XF83M-30-P2	BODY, FR. UNDER 2 SUB ASSY	1		UR WM6 FOR VRC1
8	1WD-F8328-00	.EMBLEM	1		UR FOR DPBMC
	1WD-F8328-10	.EMBLEM	1		UR FOR VRC1
9	1WD-F8394-00	.GRAPHIC 4	1		UR FOR DPBMC
	1WD-F8394-10	.GRAPHIC 4	1		UR FOR SMX
	1WD-F8394-20	.GRAPHIC 4	1		UR FOR VRC1
10	1WD-F8399-00	.GRAPHIC 6	1		UR FOR DPBMC
	1WD-F8399-10	.GRAPHIC 6	1		UR FOR SMX
	1WD-F8399-20	.GRAPHIC 6	1		UR FOR VRC1
11	90183-050A7	.NUT, SPRING	2		
12	90183-05807	.NUT, SPRING	4		
13	90269-06081	RIVET	1		

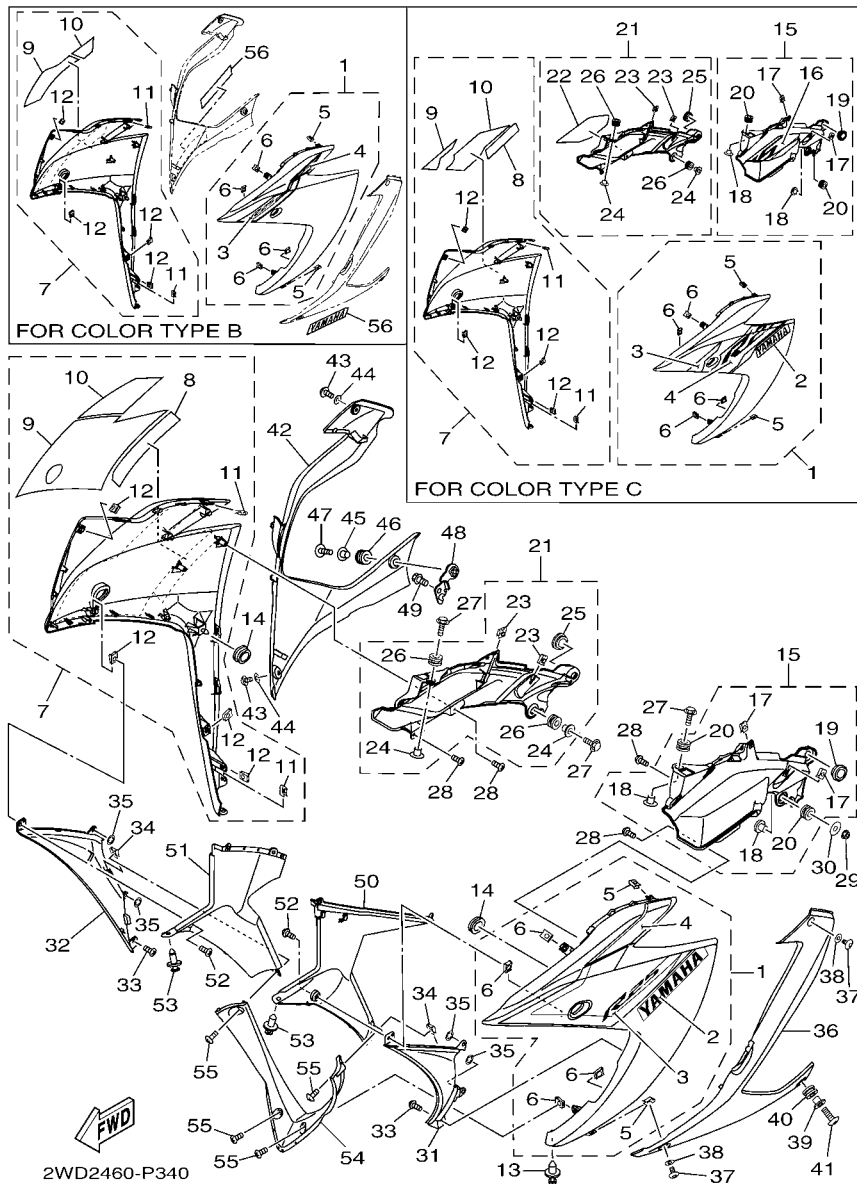
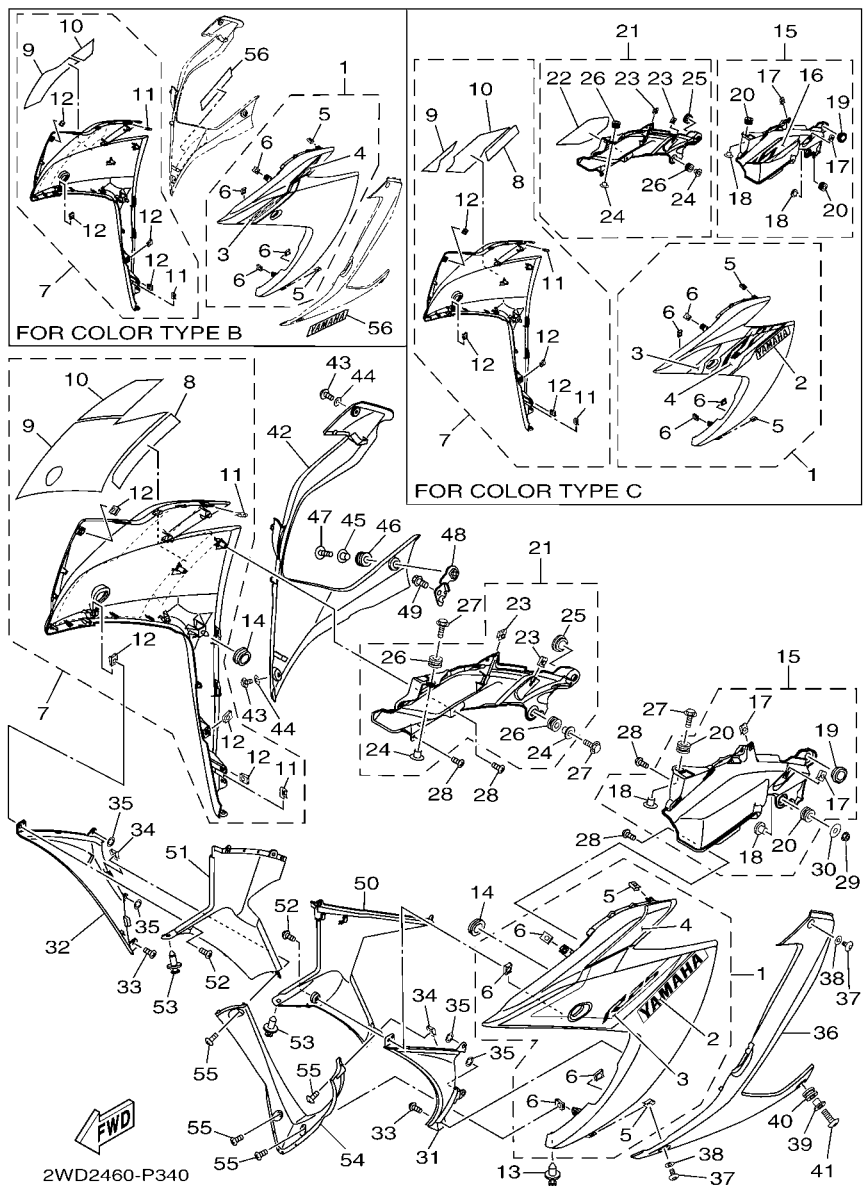


FIG. 34 COWLING 1

REF. NO.	PART NO.	DESCRIPTION	2YD1				REMARKS
14	90480-01558	GROMMET	2				
15	1WD-XF11W-10-P0	COVER 7	1				MBL2(DPBMC,SMX)
	1WD-XF11W-20-P0	COVER 7	1				MBL2(VRC1)
16	1WD-F83GA-00	.GRAPHIC, 7	1				FOR VRC1
17	90183-050A7	.NUT, SPRING	2				
18	90387-06899	.COLLAR	2				
19	90480-01558	.GROMMET	1				
20	90480-12808	.GROMMET	2				
21	1WD-XF11X-10-P0	COVER 8	1				MBL2(DPBMC,SMX)
	1WD-XF11X-20-P0	COVER 8	1				MBL2(VRC1)
22	1WD-F83GB-00	.GRAPHIC, 8	1				FOR VRC1
23	90183-050A7	.NUT, SPRING	2				
24	90387-06899	.COLLAR	2				
25	90480-01558	.GROMMET	1				
26	90480-12808	.GROMMET	2				
27	90119-06810	BOLT, WITH WASHER	3				
28	97707-50016	SCREW, TRUSS HEAD TAPPING	4				
29	95702-06500	NUT, FLANGE	1				
30	90201-06380	WASHER PLAIN	1				
31	1WD-F835U-00-P0	PANEL 1	1				MBL2
32	1WD-F835V-00-P0	PANEL 2	1				MBL2
33	97707-50016	SCREW, TRUSS HEAD TAPPING	2				
34	90183-05807	NUT, SPRING	2				
35	90183-06815	NUT, SPRING	4				
36	1WD-F8385-00-P0	COVER, UNDER	1				MBL2
37	90111-05003	BOLT,HEX. SOCKET BUTTON	2				
38	90202-05180	WASHER, PLATE	2				

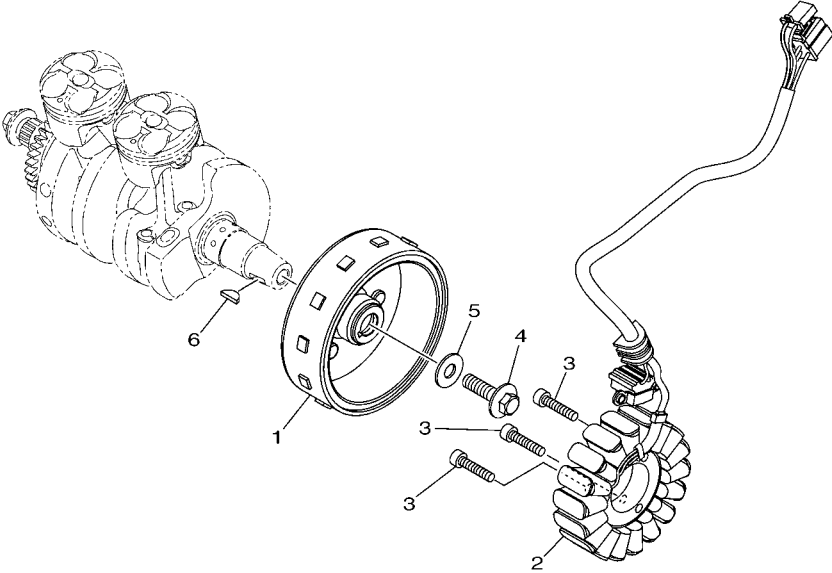
FIG. 34 COWLING 1



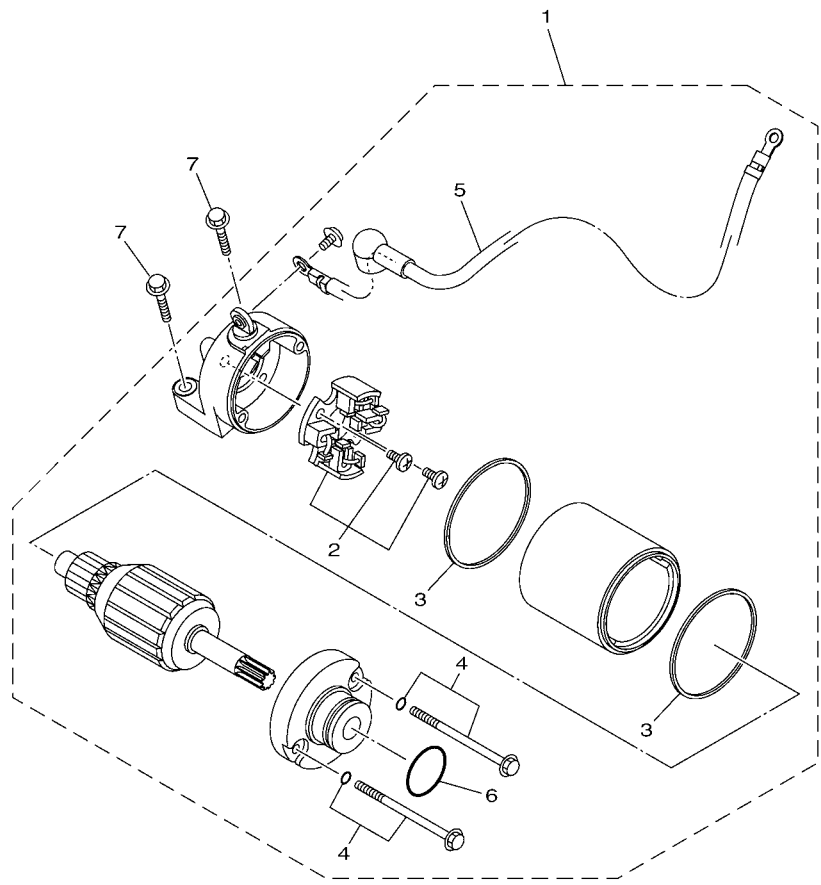
REF. NO.	PART NO.	DESCRIPTION	2YD1				REMARKS
39	90387-06899	COLLAR	1				
40	90480-12808	GROMMET	1				
41	90111-06117	BOLT,HEX. SOCKET BUTTON	1				
42	1WD-F8395-00-P0	COVER, UNDER 2	1				MBL2
43	90111-05003	BOLT,HEX. SOCKET BUTTON	2				
44	90202-05180	WASHER, PLATE	2				
45	90387-06899	COLLAR	1				
46	90480-12808	GROMMET	1				
47	90111-06117	BOLT,HEX. SOCKET BUTTON	1				
48	1WD-F833E-00	BRACKET 8	1				
49	95022-06012	BOLT, FLANGE	1				
50	1WD-F836K-00	PANEL, INNER 1	1				
51	1WD-F836L-00	PANEL, INNER 2	1				
52	97707-50016	SCREW, TRUSS HEAD TAPPING	2				
53	90269-06081	RIVET	2				
54	1WD-F836M-00	PANEL, INNER 3	1				
55	97707-50016	SCREW, TRUSS HEAD TAPPING	4				
56	1WD-F8328-20	EMBLEM	2				FOR SMX

FIG. 35 GENERATOR

REF. NO.	PART NO.	DESCRIPTION	2YD1				REMARKS
1	1WD-H1450-00	ROTOR ASSY	1				
2	1WD-H1410-00	STATOR ASSY	1				
3	91312-06030	BOLT	3				
4	90105-10883	BOLT, FLANGE	1				
5	90201-102R1	WASHER, PLATE	1				
6	90280-05013	KEY, WOODRUFF	1				



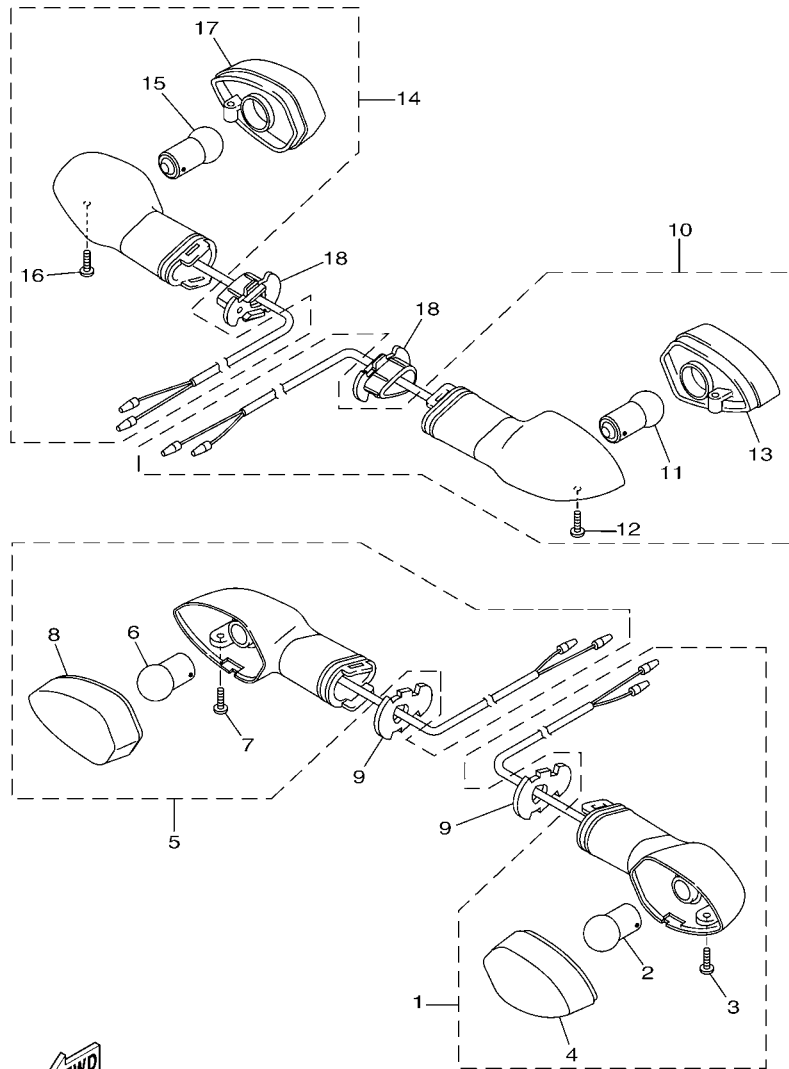
1WD1460-P350




 1WD1460-P360

FIG. 36 STARTING MOTOR

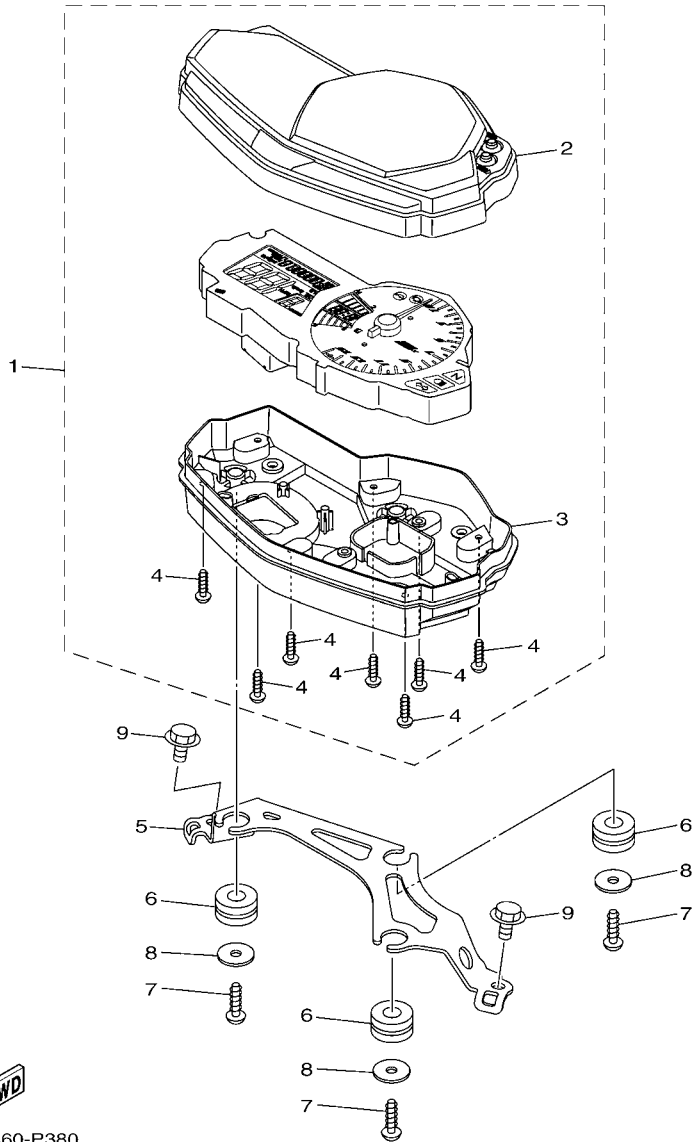
REF. NO.	PART NO.	DESCRIPTION	2YD1				REMARKS
1	1WD-H1800-00	STARTING MOTOR ASSY	1				
2	1WD-H1801-00	.BRUSH SET	1				
3	1WD-H1861-00	.GASKET	2				
4	1WD-H1828-00	.SCREW 2	2				
5	1WD-H183G-00	.CORD COMP.	1				
6	4FP-H182L-00	.O-RING 1	1				
7	95022-06025	BOLT, FLANGE	2				



B026431-P370

FIG. 37 FLASHER LIGHT

REF. NO.	PART NO.	DESCRIPTION	2YD1				REMARKS
1	1WD-H3310-10	FRONT FLASHER LIGHT ASSY 1	1				
2	1KB-83311-00	.BULB, FLASHER (12V-10W)	1				
3	3D9-H3333-10	.SCREW, LENS FITTING	1				
4	1KB-8333A-00	.LENS COMP 1	1				
5	1WD-H3320-10	FRONT FLASHER LIGHT ASSY 2	1				
6	1KB-83311-00	.BULB, FLASHER (12V-10W)	1				
7	3D9-H3333-10	.SCREW, LENS FITTING	1				
8	1KB-8334A-00	.LENS COMP 2	1				
9	3D7-83318-10	STAY, FLASHER 1	2				
10	1WD-H3330-10	REAR FLASHER LIGHT ASSY 1	1				
11	1KB-83311-00	.BULB, FLASHER (12V-10W)	1				
12	3D9-H3333-10	.SCREW, LENS FITTING	1				
13	1KB-8334A-00	.LENS COMP 2	1				
14	1WD-H3340-10	REAR FLASHER LIGHT ASSY 2	1				
15	1KB-83311-00	.BULB, FLASHER (12V-10W)	1				
16	3D9-H3333-10	.SCREW, LENS FITTING	1				
17	1KB-8333A-00	.LENS COMP 1	1				
18	1WD-H3318-00	STAY, FLASHER 1	2				




1WD1460-P380

FIG. 38 METER

REF. NO.	PART NO.	DESCRIPTION	2YD1				REMARKS
1	1WD-H3500-00	METER ASSY	1				
2	1WD-H3571-00	.CASE, SPEEDOMETER UPPER	1				
3	1WD-H3572-00	.CASE, SPEEDOMETER LOWER	1				
4	97702-30016	.SCREW, TAPPING	7				
5	1WD-H3519-00	BRACKET, METER	1				
6	90480-14004	GROMMET	3				
7	97702-50016	SCREW, TAPPING	3				
8	90201-05827	WASHER, PLATE	3				
9	95022-06010	BOLT, FLANGE	2				

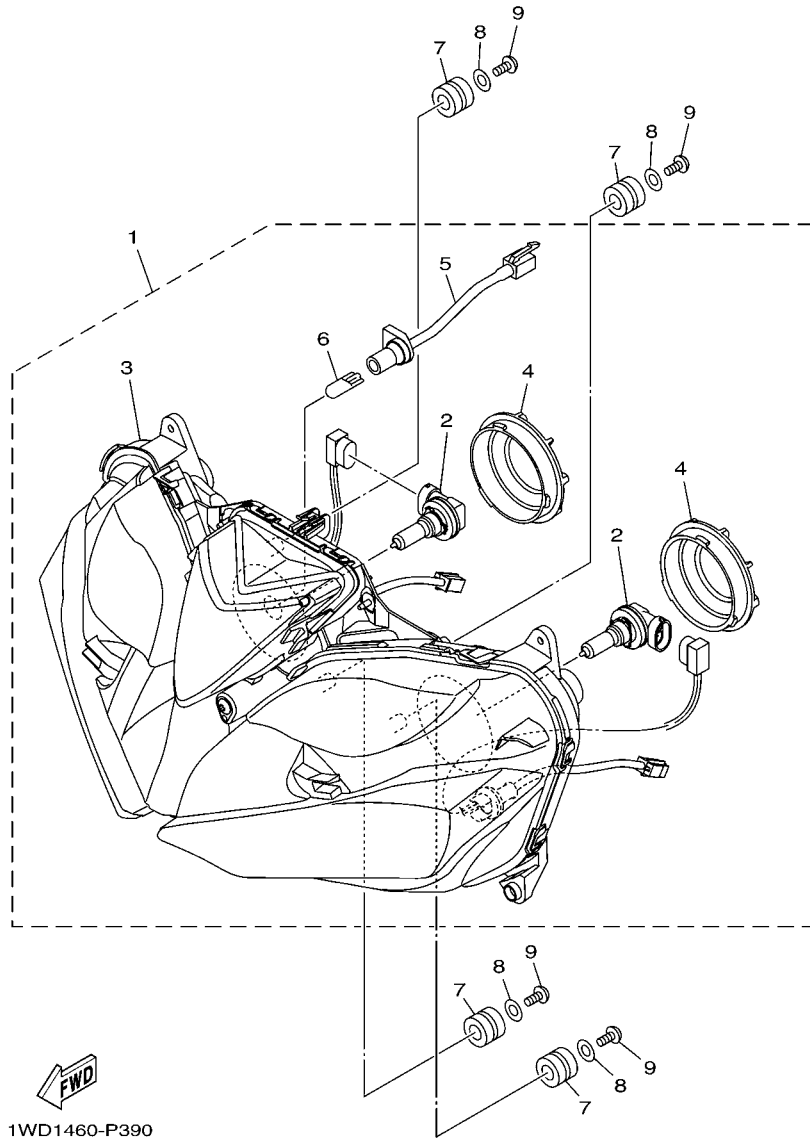


FIG. 39 HEADLIGHT

REF. NO.	PART NO.	DESCRIPTION	2YD1				REMARKS
1	1WD-H4300-00	HEADLIGHT ASSY	1				
2	1WD-H4314-00	.BULB (12V-55W)	2				
3	1WD-H4303-00	.HEADLIGHT UNIT ASSY	1				
4	1WD-H4397-00	.COVER, SOCKET	2				
5	1WD-H4340-00	.SOCKET CORD ASSY 1	1				
6	1WD-H4347-00	.BULB (12V-5W)	1				
7	90480-14004	GROMMET	4				
8	90201-05036	WASHER, PLATE	4				
9	97707-50016	SCREW, TRUSS HEAD TAPPING	4				

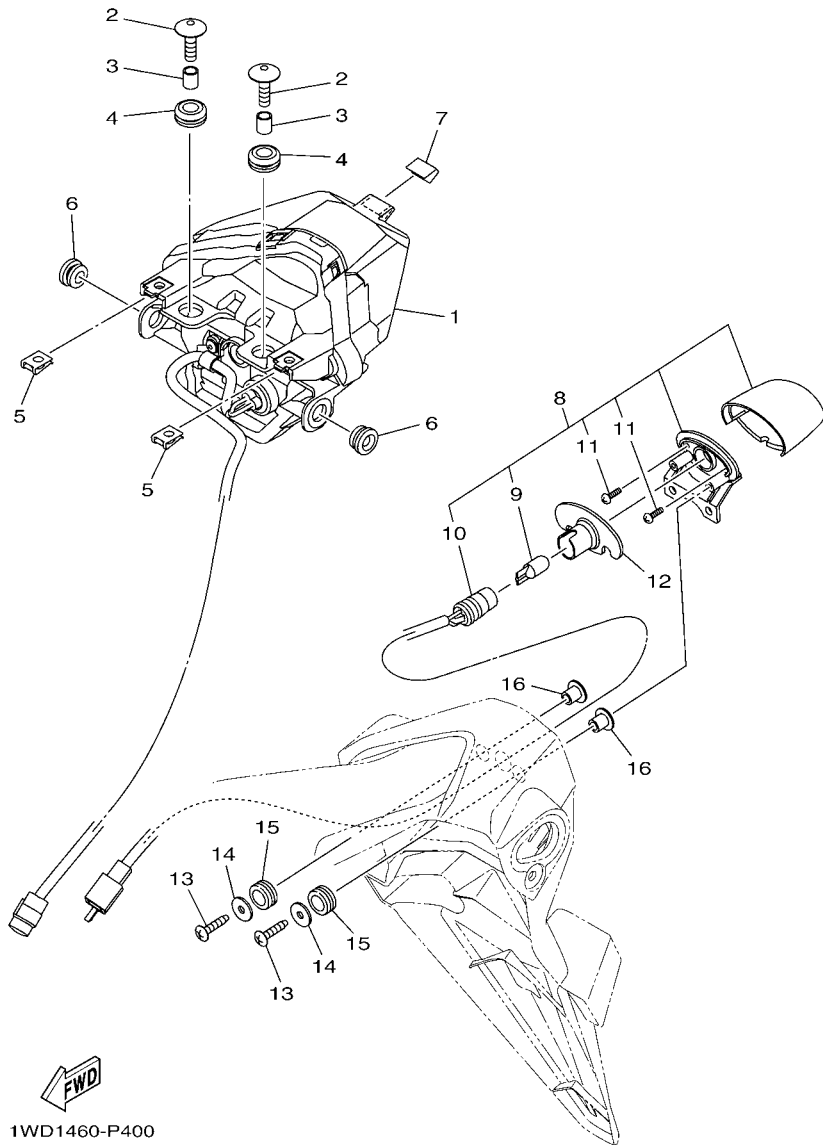
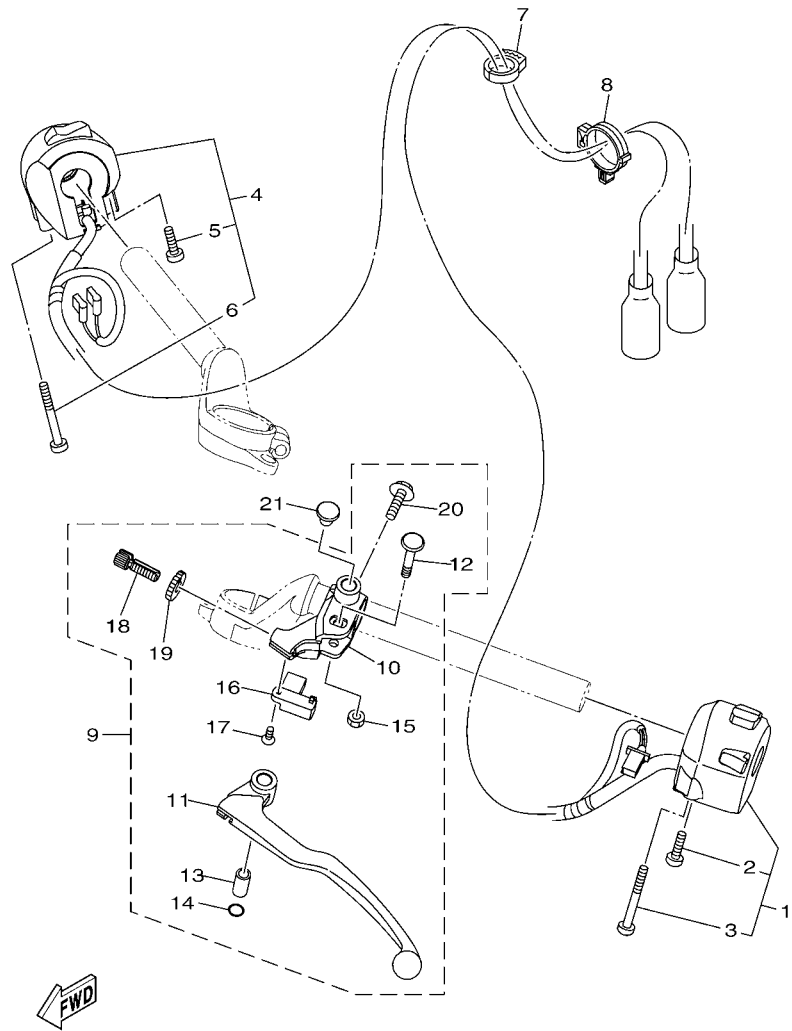


FIG. 40 TAILLIGHT

REF. NO.	PART NO.	DESCRIPTION	2YD1				REMARKS
1	1WD-H4710-00	TAILLIGHT UNIT ASSY	1				
2	90111-06117	BOLT,HEX. SOCKET BUTTON	2				
3	90387-067V1	COLLAR	2				
4	90480-13001	GROMMET	2				
5	90183-05807	NUT, SPRING	2				
6	90480-10003	GROMMET	2				
7	1WD-F1732-00	SEAL 1	1				
8	1WD-H4740-00	LICENCE LIGHT ASSY	1				
9	1WD-H4744-00	.BULB (12V-5W)	1				
10	1WD-H4547-00	.CORD, LICENCE LIGHT	1				
11	1WD-H4726-00	.SCREW	2				
12	1WD-H4753-00	DAMPER	1				
13	97707-40020	SCREW, TAPPING	2				
14	90201-04804	WASHER, PLATE	2				
15	90480-11009	GROMMET	2				
16	90387-05042	COLLAR	2				



1WD1460-P410

FIG. 41 HANDLE SWITCH & LEVER

REF. NO.	PART NO.	DESCRIPTION	2YD1				REMARKS
1	1WD-H3972-00	SWITCH, HANDLE 4	1				
2	1WD-H2133-00	.SCREW, FITTING	1				
3	1WD-H395W-00	.SCREW, SWITCH FITTING	1				
4	1WD-H3975-00	SWITCH, HANDLE 2	1				
5	45P-H2133-00	.SCREW, FITTING	1				
6	45P-H395W-00	.SCREW, SWITCH FITTING	1				
7	90464-16003	CLAMP	1				
8	90464-30001	CLAMP	1				
9	1WD-H2910-00	LEVER HOLDER ASSY (LEFT)	1				
10	1WD-H2911-00	.HOLDER, LEVER 1	1				
11	1WD-H3912-00	.LEVER 1	1				
12	31A-83945-00	.BOLT, LEVER	1				
13	31A-83913-00	.COLLAR, LEVER 1	1				
14	93210-108H5	.O-RING	1				
15	95602-06100	.NUT, U	1				
16	5BP-H2917-00	.SWITCH	1				
17	90151-03005	.SCREW, COUNTERSUNK	1				
18	90123-08083	.BOLT	1				
19	90179-08316	.NUT	1				
20	97507-06525	.BOLT, WITH WASHER	1				
21	90338-09012	PLUG	1				

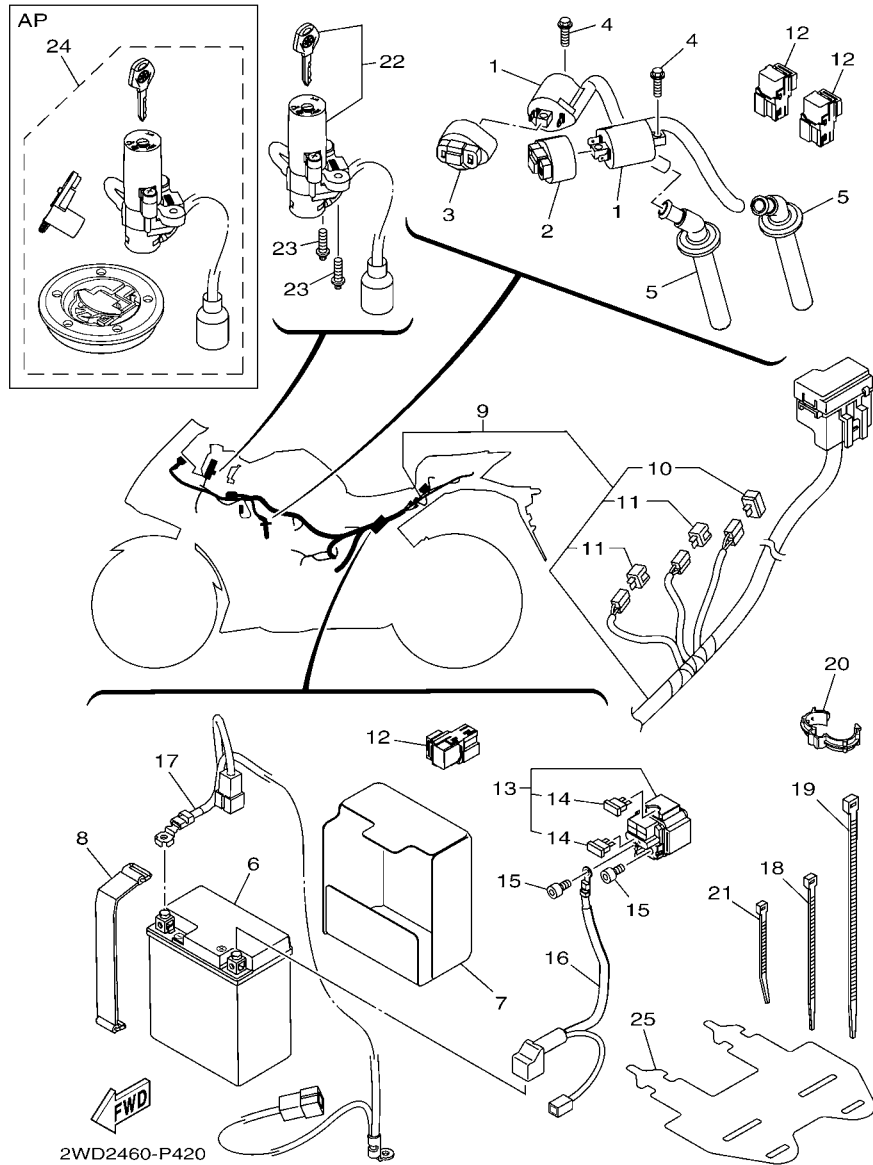


FIG. 42 ELECTRICAL 1

REF. NO.	PART NO.	DESCRIPTION	2YD1				REMARKS
1	1WD-H2310-00	IGNITION COIL ASSY	2				
2	1WD-H2314-00	COVER, IGNITION COIL	1				
3	1WD-H2314-10	COVER, IGNITION COIL	1				
4	95022-06020	BOLT, FLANGE	2				
5	1WD-H2370-00	PLUG CAP ASSY	2				
6	2YD-H2100-00	BATTERY ASSY (GS GTZ8V)	1				
7	1WD-H2121-00	PAD, BATTERY	1				
8	1WD-H2131-00	BAND, BATTERY	1				
9	1WD-H2590-00	WIRE HARNESS ASSY	1				
10	4WA-81980-00	.DIODE ASSY	1				
11	3WP-81980-00	.DIODE ASSY	2				
12	1WD-H1950-00	RELAY ASSY	3				
13	1WD-H1940-00	STARTER RELAY ASSY	1				
14	1WD-H2151-00	.FUSE (30A-BL)	2				
15	91312-05008	BOLT	2				
16	1WD-H2115-00	WIRE, PLUS LEAD	1				
17	1WD-H2116-00	WIRE, MINUS LEAD	1				
18	90464-36800	CLAMP	2				
19	90464-70800	CLAMP	8				
20	90464-14803	CLAMP	1				
21	90464-22800	CLAMP	1				
22	1WD-H2501-01	MAIN SWITCH STEERING LOCK	1				
23	90109-060G4	BOLT	2				
24	1WD-XH250-00	MAIN SW. STRG. LOCK SUB ASSY	1				AP
25	1WD-F179E-00	BAND	1				

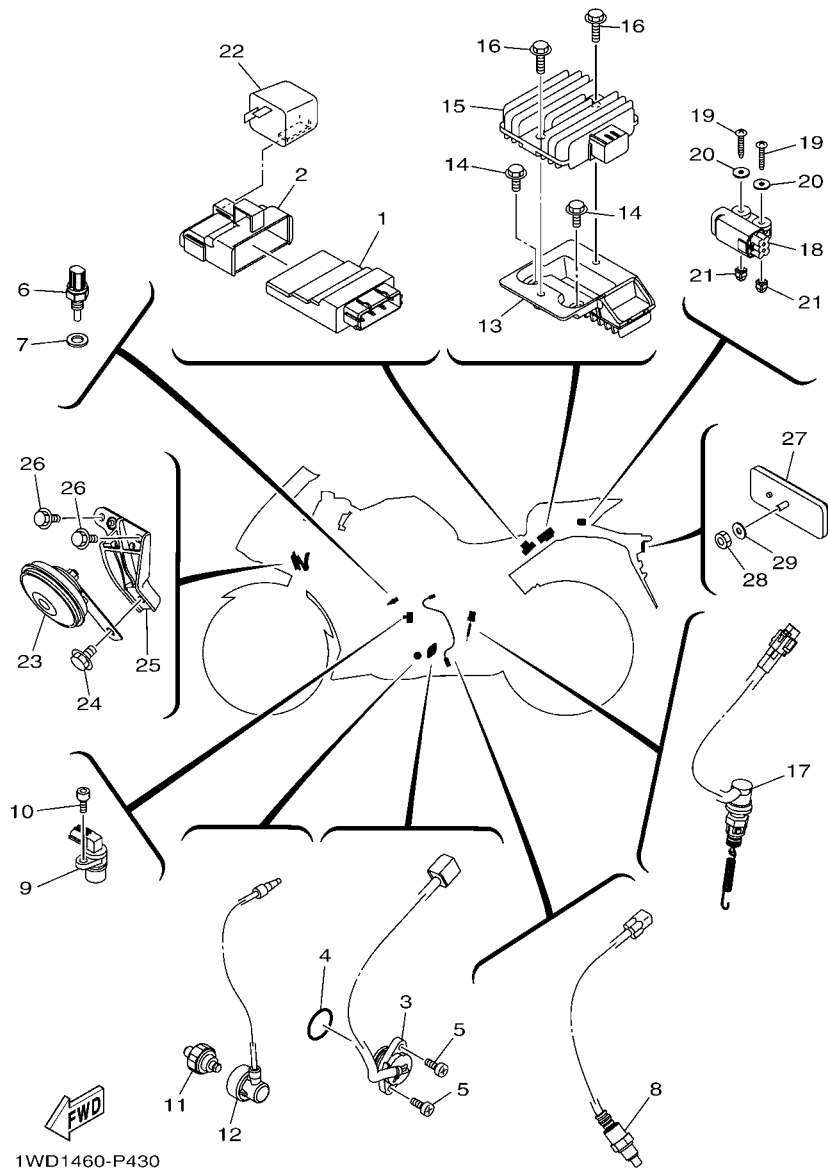


FIG. 43 ELECTRICAL 2

REF. NO.	PART NO.	DESCRIPTION	2YD1				REMARKS
1	1WD-H591A-00	ENGINE CONTROL UNIT ASSY	1				
2	1WD-H5546-00	BAND	1				
3	1WD-H2540-00	NEUTRAL SWITCH ASSY	1				
4	93210-21801	O-RING	1				
5	98502-05016	SCREW, PAN HEAD	2				
6	54P-H3591-00	THERMO UNIT	1				
7	90430-10804	GASKET	1				
8	1WD-H592A-00	SENSOR, OXYGEN	1				
9	1WD-H3755-00	SENSOR, SPEED	1				
10	91312-06016	BOLT	1				
11	1WS-82504-00	OIL PRESSURE SWITCH ASSY	1				
12	1WD-H1315-00	LEAD WIRE ASSY	1				
13	1WD-H1961-00	COVER	1				
14	95802-06016	BOLT, FLANGE	2				
15	1WD-H1960-00	RECTIFIER & REGULATOR ASSY	1				
16	95802-06025	BOLT, FLANGE	2				
17	1WD-H2530-00	STOP SWITCH ASSY	1				
18	1WD-H2576-00	SENSOR, LEAN ANGLE	1				
19	90160-04009	SCREW, ROUND TAPPING	2				
20	90201-04028	WASHER, PLATE	2				
21	4B4-84334-00	NUT, ADJUSTING	2				
22	1WD-H3351-00	RELAY, FLASHER	1				
23	1WD-H3371-00	HORN	1				
24	95802-08012	BOLT, FLANGE	1				
25	1WD-H3378-00	STAY, HORN	1				
26	95807-06016	BOLT, FLANGE	2				
27	3C1-H5130-00	REAR REFLECTOR ASSY	1				

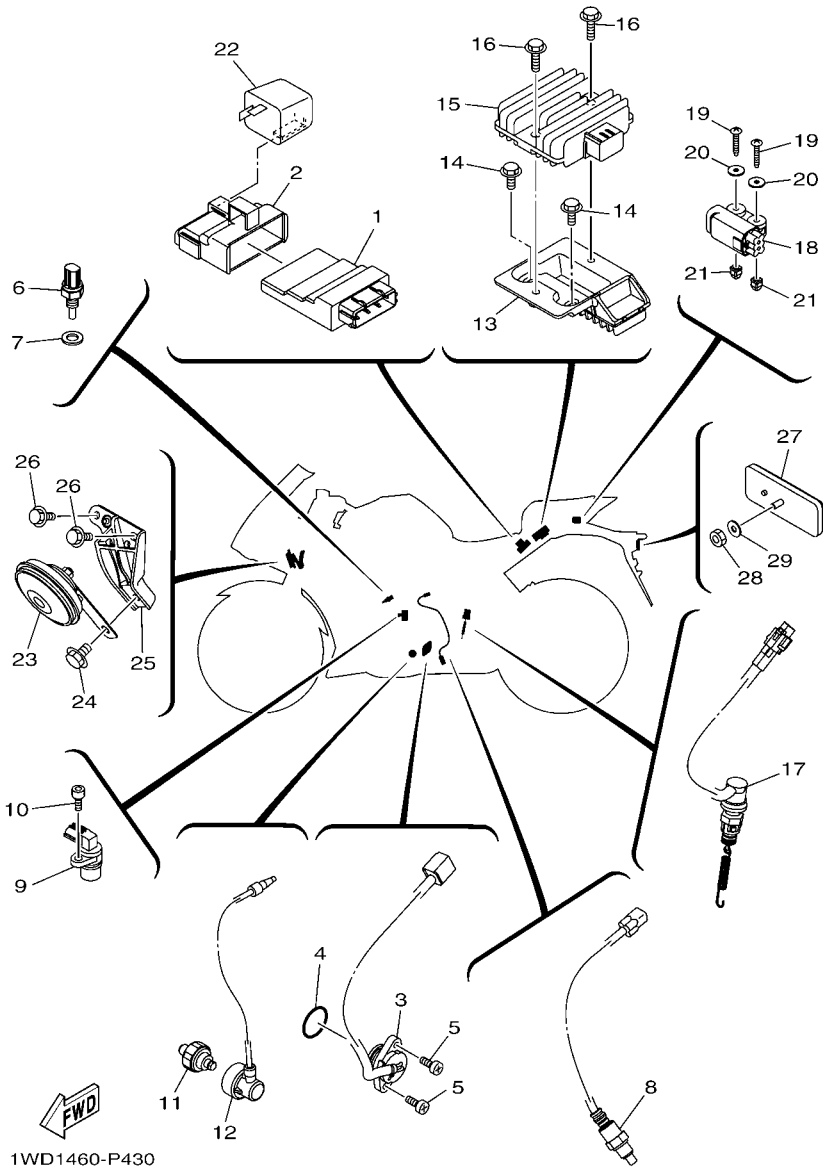


FIG. 43 ELECTRICAL 2

REF. NO.	PART NO.	DESCRIPTION	2YD1				REMARKS
28	95602-05100	NUT, U	1				
29	90201-05043	WASHER, PLATE	1				

NUMERICAL INDEX

PART NO.	REF. NO.	PART NO.	REF. NO.	PART NO.	REF. NO.	PART NO.	REF. NO.	PART NO.	REF. NO.	PART NO.	REF. NO.
1WD-11411-00	2 - 1	4XY-14568-00	23 - 58	4AG-85111-00	18 - 11	1WD-E2671-00	6 - 10	1WD-E4840-00	1 - 30	1WD-E8101-00	16 - 4
1WD-11413-00	2 - 23	5VY-1482K-00	1 - 19	1WS-85801-00	8 - 9	5YP-E2675-00	6 - 11	1WD-E4881-00	1 - 31	1WD-E8110-00	16 - 11
1WD-11413-10	2 - 23	2H7-15361-00	5 - 18	1WD-E1102-10	1 - 1	1WD-E2681-00	5 - 12	1WD-E4882-00	1 - 33	1WD-E8112-00	16 - 16
1WD-11413-20	2 - 23	1WD-16382-00	13 - 19	1WD-E111G-00	1 - 15	1WD-E319L-00	5 - 10	1WD-E4890-00	1 - 20	1EG-E8113-01	16 - 12
1WD-11413-30	2 - 23	1WD-17424-00	14 - 28		1 - 24	1WD-E3300-00	7 - 1	1WD-E4899-00	1 - 21	1WD-E8115-00	16 - 13
1WD-11413-40	2 - 23	278-17425-00	14 - 12	1WD-E1133-10	1 - 2	1WD-E3341-00	7 - 3	1WD-E5148-00	10 - 4	1WD-E8127-00	16 - 2
1WD-11416-00	2 - 10		14 - 29	1WD-E1181-00	1 - 12	1WD-E3342-00	7 - 4	1WD-E5150-10	10 - 1	1WD-E8140-00	16 - 8
1WD-11416-10	2 - 10	26P-21568-10	23 - 60	1WD-E1191-00	1 - 16	1WD-E3410-00	7 - 9	1WD-E5155-00	10 - 12	1WD-E8175-00	16 - 3
1WD-11416-20	2 - 10	1WD-22141-00	20 - 2	1WD-E1193-00	1 - 18	1WD-E3414-00	7 - 16	1WD-E5362-00	5 - 19	1WD-E8337-00	16 - 1
1WD-11416-30	2 - 10	1WS-2331G-00	22 - 40	4YS-E1198-00	7 - 15	1WD-E3415-00	7 - 10	1WD-E5373-00	8 - 40	1WD-E8511-00	15 - 4
1WD-11416-40	2 - 10	3FV-23462-00	22 - 38	1WD-E1311-00	1 - 25	1WD-E3417-00	7 - 13	1WD-E5377-00	11 - 21	1WD-E8512-00	15 - 5
1WD-11650-00	2 - 2	1WD-25181-00	25 - 9	1WD-E1351-00	1 - 26	1WD-E3440-00	7 - 11	1WD-E5411-00	11 - 1	1WD-E8513-00	15 - 6
5SL-11654-00	2 - 3	1WD-25381-00	27 - 19	1WD-E1361-00	1 - 8	54P-E3474-00	8 - 35	1WD-E5413-10	11 - 16	1WD-E8531-00	15 - 7
1WD-11656-00	2 - 5	5MT-25398-00	25 - 7	1WD-E1454-00	2 - 22	1WD-E3543-00	8 - 37	1WD-E5418-00	11 - 22	1WD-E8536-00	15 - 9
1WD-11656-10	2 - 5		27 - 18	1WD-E1496-00	2 - 18	1WD-E3556-00	8 - 6	1WD-E5421-00	5 - 2	1WD-E8540-10	15 - 1
1WD-11656-20	2 - 5	5MT-25398-10	25 - 7	1WD-E1531-00	2 - 15	1WD-E3573-00	8 - 12	1WD-E5441-00	11 - 14	5TP-E8542-00	15 - 2
1WD-11656-30	2 - 5		27 - 18	1WD-E1536-00	2 - 6	1WD-E3586-00	8 - 1	1WD-E5451-00	11 - 7	1WD-E8562-00	15 - 10
1WD-12113-00	3 - 4	5MT-25398-20	25 - 7	1WD-E1549-00	2 - 7	1WD-E3750-00	8 - 5	1WD-E5461-00	11 - 10	1WD-F1110-00	17 - 1
1WD-12153-10	3 - 9		27 - 18	1WD-E1603-00	2 - 12	1WD-E3761-00	8 - 7	1WD-E5462-00	11 - 17	1WD-F112C-00	17 - 3
1HX-12168-F0	3 - 8	1WD-25802-00	26 - 4	1WD-E1631-00	2 - 11	1WD-E3907-10	23 - 44	1WD-E5514-00	12 - 1	1WD-F113B-00	17 - 2
1HX-12168-H1	3 - 8	1WD-25802-50	28 - 4	1WD-E1633-00	2 - 13	1WD-E3938-00	8 - 20	1WD-E5515-00	12 - 3	1WD-F113J-00	18 - 10
1HX-12168-K1	3 - 8	1WD-25803-00	26 - 5	1WD-E2111-00	3 - 1	1WD-E3971-00	23 - 49	44D-E5521-00	12 - 2	1WD-F1171-00	17 - 17
1HX-12168-M1	3 - 8	1WD-25803-50	28 - 5	1WD-E2117-00	3 - 5	54P-E416A-00	8 - 18	1WD-E5580-00	12 - 4	1WD-F117G-00	17 - 4
1HX-12168-R1	3 - 8	1WD-25805-00	26 - 12	3S0-E2118-00	3 - 6	1WD-E4243-00	8 - 19	1WD-E6111-00	13 - 1	1WD-F117K-00	24 - 12
1HX-12168-U1	3 - 8	1WD-25806-00	28 - 15	1PA-E2119-00	3 - 7	1WD-E4411-00	8 - 21	1WD-E6150-00	13 - 2	1WD-F122A-00	17 - 24
1HX-12168-W1	3 - 8	5RB-25854-00	30 - 3	1WD-E2121-00	3 - 2	1WD-E4412-00	8 - 25	1WD-E6154-00	13 - 3	1WD-F122B-00	17 - 25
1HX-12168-Y1	3 - 8	36Y-2589H-00	30 - 5	1WD-E2126-00	3 - 3	1WD-E4422-00	8 - 29	1WD-E6181-00	13 - 13	1WD-F1278-00	33 - 19
1HX-12169-11	3 - 8	5KN-25926-01	28 - 17	1WD-E2170-00	4 - 1	1WD-E4437-00	8 - 24	1WD-E6324-00	13 - 6	1WD-F135F-00	17 - 15
1HX-12169-31	3 - 8	34X-25937-00	28 - 7	1WD-E2176-00	4 - 3	52B-E443E-00	8 - 33	1WD-E6331-00	13 - 5	1WD-F144G-00	31 - 28
1HX-12169-50	3 - 8	4SS-27218-00	32 - 3	1WD-E2180-00	4 - 2	40D-E443G-00	27 - 28	1WD-E6333-00	13 - 8	1WD-F153E-00	18 - 6
1HX-12169-70	3 - 8	3KW-27234-00	32 - 8	1WD-E2213-00	4 - 9	1WD-E4451-00	8 - 32	1WD-E6337-00	13 - 9	1WD-F153E-10	18 - 6
1HX-12169-90	3 - 8	4BP-27261-00	31 - 25	33S-E2223-00	5 - 8	1WD-E4452-00	8 - 26	1WD-E6340-00	13 - 15	1WD-F153E-20	18 - 6
1HX-12169-E0	3 - 8	3WP-81980-00	42 - 11	1WD-E2241-00	1 - 17	1WD-E4457-00	8 - 27	1WD-E6350-00	13 - 7	1WD-F1586-00	18 - 5
1HX-12169-G0	3 - 8	4WA-81980-00	42 - 10	1WD-E2251-00	4 - 11	1WD-E4462-00	8 - 30	1WD-E6356-00	13 - 14	1WD-F1611-00	18 - 13
1HX-12169-J0	3 - 8	1WS-82504-00	43 - 11	1WD-E2252-00	4 - 12	1WD-E4469-00	8 - 22	1WD-E6371-00	13 - 4	1WD-F1617-00	18 - 21
1HX-12169-L0	3 - 8	1KB-83311-00	37 - 2	1WD-E2256-00	4 - 14	1WD-E446C-00	8 - 23	1WD-E7121-00	14 - 7	1WD-F1621-00	18 - 31
1HX-12169-N0	3 - 8		37 - 6	1WD-E2405-00	6 - 9	1WD-E4602-00	9 - 1	1WD-E7131-00	14 - 5	1WD-F1629-00	18 - 20
1HX-12169-T0	3 - 8		37 - 11	1WD-E2413-00	6 - 2	1WD-E4613-00	9 - 19	1WD-E7151-00	14 - 2	1WD-F163A-00	18 - 33
1WD-12210-01	4 - 6		37 - 15	1WD-E2420-00	5 - 1	1WD-E4628-00	9 - 23	1WD-E7161-00	14 - 6	1WD-F163E-00	18 - 18
5P0-12411-00	6 - 1	3D7-83318-10	37 - 9	1WD-E2422-00	5 - 14	1WD-E4710-00	9 - 4	1WD-E7211-00	14 - 23	1WD-F1652-00	17 - 5
5NL-12564-00	1 - 27	1KB-8333A-00	37 - 4	1WD-E2428-00	5 - 15	54D-E4714-00	9 - 13	1WD-E7221-00	14 - 14	1WD-F1668-00	20 - 17
8GL-13571-00	8 - 13		37 - 17	1WD-E2450-00	5 - 6	1WD-E4715-00	9 - 14	1WD-E7231-00	14 - 18	1WD-F1669-00	18 - 14
5JW-14104-00	8 - 15	1KB-8334A-00	37 - 8	1WD-E2453-00	5 - 7	1WD-E4728-00	9 - 8	1WD-E7241-00	14 - 19	1WD-F1688-00	18 - 26
8A7-14139-00	8 - 17		37 - 13	33S-E2456-00	5 - 9	1WD-E473L-00	9 - 2	1WD-E7251-00	14 - 22	1WD-F1689-00	18 - 27
5PS-14147-00	8 - 8	31A-83913-00	41 - 13	1WD-E2461-00	6 - 8	5TP-E4747-00	17 - 30	1WD-E7261-00	14 - 17	1WD-F16A2-00	18 - 17
895-14169-00	8 - 16	31A-83945-00	41 - 12	1WD-E2577-00	6 - 4		31 - 48	1WD-E7402-00	14 - 13	1WD-F171E-00	19 - 40
1WS-14335-00	8 - 10	1HP-83980-01	30 - 11	1WD-E2578-00	6 - 5	1WD-E4758-00	9 - 5	1WD-E7411-00	14 - 1	1WD-F171L-00	19 - 21
8HG-14534-00	8 - 14	4B4-84334-00	43 - 21	5P0-E2590-00	6 - 12	1WD-E4763-00	9 - 12	1WD-E7460-00	14 - 31	1WD-F171M-00	19 - 24

NUMERICAL INDEX

PART NO.	REF. NO.	PART NO.	REF. NO.	PART NO.	REF. NO.	PART NO.	REF. NO.	PART NO.	REF. NO.	PART NO.	REF. NO.
1WD-F171N-00	19 - 27	45P-F3144-00	22 - 28	3C1-F4486-00	23 - 47	1WD-F5876-00	30 - 20	1WD-F7446-00	31 - 31	1WD-F8484-00	33 - 26
1WD-F171X-00	19 - 42	45P-F3145-00	22 - 9	1WD-F4491-00	23 - 46	1WD-F5887-00	32 - 25	1WD-F7451-00	31 - 10	1WD-F8485-00	33 - 27
1WD-F172W-00	19 - 36		22 - 26	1WD-F4710-00	24 - 1	50C-F5894-10	32 - 9	1WD-F7461-00	31 - 19	1WD-H1315-00	43 - 12
1WD-F1731-00-P0	19 - 38	45P-F3146-00	22 - 8	1WD-F4711-00	24 - 2	1WD-F5895-50	32 - 13	1WD-F8100-00	24 - 15	1WD-H1410-00	35 - 2
1WD-F1731-00-P1	19 - 38		22 - 25	3C1-F4741-00	24 - 6	50C-F589A-00	32 - 15	31B-F8307-00	19 - 8	1WD-H1450-00	35 - 1
1WD-F1731-00-P2	19 - 38	45P-F3149-00	22 - 15	5BP-F4741-00	24 - 3	1WD-F5914-50	28 - 16		19 - 18	1WD-H1800-00	36 - 1
1WD-F1732-00	40 - 7		22 - 32	1WD-F4750-00	24 - 5	5YP-F5917-00	26 - 8	1WD-F8328-00	34 - 2	1WD-H1801-00	36 - 2
1WD-F179E-00	42 - 25	45P-F3156-00	22 - 10	1WD-F4780-00	24 - 7		28 - 6		34 - 8	1WD-H1828-00	36 - 4
1WD-F17F1-00	19 - 6		22 - 27	1WD-F478E-00	24 - 10	1WD-F5919-00	26 - 10	1WD-F8328-10	34 - 2	4FP-H182L-00	36 - 6
1WD-F17F1-10	19 - 6	509-F3158-L0	22 - 13	1WD-F4792-00	24 - 8	1WD-F5919-50	28 - 9		34 - 8	1WD-H183G-00	36 - 5
1WD-F17F1-20	19 - 6		22 - 30	1WD-F510C-00	25 - 2	1WD-F5921-50	28 - 12	1WD-F8328-20	34 - 56	1WD-H1861-00	36 - 3
1WD-F17F2-00	19 - 16	1WD-F3170-00	22 - 5	1WD-F5168-00-0X	25 - 1	5YP-F5924-00	26 - 11	1WD-F833E-00	34 - 48	1WD-H1940-00	42 - 13
1WD-F17F2-10	19 - 16		22 - 22	1WD-F5168-00-P0	25 - 1	1WD-F5924-50	28 - 10	1WD-F8356-00	33 - 21	1WD-H1950-00	42 - 12
1WD-F17F2-20	19 - 16	1WD-F3173-00	22 - 12	1WD-F5338-00-0X	27 - 1	5YP-F5925-01	28 - 9	1WD-F835G-00	33 - 4	1WD-H1960-00	43 - 15
1WD-F17F3-00	19 - 7		22 - 29	1WD-F5338-00-P0	27 - 1		28 - 11	1WD-F835U-00-P0	34 - 31	1WD-H1961-00	43 - 13
1WD-F17F4-00	19 - 17	31B-F3181-00	22 - 14	1WD-F5364-00	27 - 5	5YP-F5937-00	26 - 7	1WD-F835V-00-P0	34 - 32	2YD-H2100-00	42 - 6
1WD-F1816-00	19 - 33		22 - 31	1WD-F5366-00-98	27 - 6	1WD-F5939-50	28 - 13	1PA-F836B-00	19 - 44	1WD-H2115-00	42 - 16
1WD-F1817-00	19 - 34	45P-F3188-00	22 - 18	1WD-F5366-00-P0	27 - 6	1WD-F5939-60	28 - 14		33 - 31	1WD-H2116-00	42 - 17
3C1-F1828-00	19 - 32		22 - 35	1WD-F5377-00	27 - 9	1WD-F6121-00	29 - 1	1WD-F836K-00	34 - 50	1WD-H2121-00	42 - 7
1WD-F1871-00	19 - 29	1WD-F3340-00	22 - 36	1WD-F537W-00	27 - 11	1WD-F6122-00	29 - 5	1WD-H2131-00	34 - 51	1WD-H2131-00	42 - 8
1WD-F1875-00	19 - 31	45P-F3346-00	22 - 39	1WD-F537X-00	27 - 12	1WD-F6131-00	29 - 17	1WD-F836M-00	34 - 54	5TL-H2131-00	24 - 16
1WD-F191B-00	17 - 9	5BP-F3416-00	21 - 2	1WD-F5383-00	27 - 21	1WD-F6132-00	29 - 22	1WD-F836N-00	33 - 15	1WD-H2133-00	41 - 2
1WD-F193A-00	17 - 6	5BP-F3418-00	21 - 5	1PA-F5386-00	25 - 8	1S7-F622F-00	29 - 12	1WD-F836R-00	33 - 16	45P-H2133-00	41 - 5
1WD-F2110-00	20 - 1	1WD-F3435-00	21 - 6	1WD-F5386-00	27 - 20	1WD-F622H-00	29 - 11	1WD-H2151-00	33 - 5	1WD-H2151-00	42 - 14
1WD-F2123-00	17 - 8	1WD-F4110-00	23 - 1	1WD-F5388-00	27 - 24	1WD-F6240-00	29 - 10		33 - 14	1WD-H2310-00	42 - 1
1WD-F2129-00	20 - 3	1WD-F4129-00-P0	23 - 29	1WD-F539F-00	27 - 13	2DP-F6241-00	29 - 9		33 - 20	1WD-H2314-00	42 - 2
1WD-F2151-00	20 - 7	1WD-F4129-00-P1	23 - 29	1WD-F5443-00	27 - 10	1WD-F6246-00	29 - 14	44D-F8379-00	33 - 12	1WD-H2314-10	42 - 3
1WD-F2174-00	27 - 25	1WD-F4129-00-P2	23 - 29	1WD-F5807-00	30 - 2	1S7-F6257-00	29 - 13	1WD-F8381-00	33 - 1	1WD-H2370-00	42 - 5
1WD-F2184-00	20 - 4	1WD-F412Y-00	23 - 6	1WD-F5808-00	32 - 2	1WD-F6280-10	33 - 23	1WD-F8385-00-P0	34 - 36	1WD-H2501-01	42 - 22
1WD-F2210-00	20 - 14	1WD-F4139-00-P0	23 - 36	1WD-F580E-00	32 - 1	1WD-F6290-10	33 - 24	1WD-F8391-00	33 - 9	1WD-H2530-00	43 - 17
1WD-F2311-00	20 - 11	1WD-F4139-00-P1	23 - 36	1WD-F580U-01	26 - 3	1WD-F6301-00	29 - 19	1WD-F8391-10	33 - 9	1WD-H2540-00	43 - 3
1WD-F248B-00	20 - 9	1WD-F4139-00-P2	23 - 36	1WD-F580W-01	28 - 3	1WD-F6335-00	29 - 16	1WD-F8392-00	33 - 10	1WD-H2576-00	43 - 18
1WD-F3100-00	22 - 1	1WD-F413B-00	23 - 59	1WD-F581U-00	26 - 1	1WD-F7211-00	31 - 24	1WD-F8393-00	34 - 3	1WD-H2590-00	42 - 9
1WD-F3102-00	22 - 2	1WD-F414E-00	23 - 43	50C-F582A-50	32 - 5	50C-F7222-00	32 - 4	1WD-F8393-10	34 - 3	1WD-H2910-00	41 - 9
1WD-F3103-00	22 - 19	1WD-F414G-00	23 - 28	1WD-F582E-00	32 - 21	45P-F7261-00	16 - 17	1WD-F8393-20	34 - 3	1WD-H2911-00	41 - 10
1WD-F3110-00	22 - 4	5D9-F414G-00	17 - 7	1WD-F582W-00	28 - 1	1WD-F7311-00	31 - 1	1WD-F8394-00	34 - 9	5BP-H2917-00	41 - 16
	22 - 21		23 - 4	5TL-F5838-00	28 - 18	1WD-F7321-10	31 - 2	1WD-F8394-10	34 - 9	1WD-H3310-10	37 - 1
45P-F3111-00	22 - 17	45P-F414H-00	23 - 5	1WD-F5852-00	30 - 4	1WD-F7430-00	31 - 32	1WD-F8394-20	34 - 9	1WD-H3318-00	37 - 18
	22 - 34	1WD-F4188-00	23 - 2	1WD-F5852-50	32 - 12	1WD-F7431-00	31 - 33	1WD-F8395-00-P0	34 - 42	1WD-H3320-10	37 - 5
1WD-F3118-00	22 - 16	1WD-F4191-00	23 - 12	2VN-F5854-00	32 - 10	1WD-F7435-00	31 - 11	1WD-F8398-00	34 - 4	1WD-H3330-10	37 - 10
	22 - 33	1WD-F41B1-00-P0	23 - 22	3C1-F5855-00	30 - 7		31 - 20	1WD-F8398-10	34 - 4	3D9-H3333-10	37 - 3
45P-F3125-00	22 - 7	1WD-F41B1-00-P1	23 - 22	50C-F5855-00	32 - 11	1WD-F7437-00	31 - 36	1WD-F8398-20	34 - 4		37 - 7
	22 - 24	1WD-F4312-00	23 - 50	50C-F5866-00	32 - 6		31 - 44	1WD-F8399-00	34 - 10		37 - 12
1WD-F3126-00	22 - 3	1WD-F4313-00	23 - 55	3RW-F5867-00	30 - 6	1WD-F7440-00	31 - 40	1WD-F8399-10	34 - 10		37 - 16
1WD-F3136-00	22 - 20	1WD-F4314-00	23 - 51	1WD-F5870-00	30 - 1	1WD-F7441-00	31 - 41	1WD-F8399-20	34 - 10	1WD-H3340-10	37 - 14
1WD-F3141-00	22 - 6	1WD-F4315-00	23 - 56	1WD-F5872-00	30 - 15	1WD-F7442-00	31 - 9	1WD-F839A-00	34 - 16	1WD-H3351-00	43 - 22
	22 - 23	1WD-F4339-00	23 - 7	1WD-F5873-00	32 - 22	1WD-F7443-00	31 - 18	1WD-F83GB-00	34 - 22	1WD-H3371-00	43 - 23
45P-F3144-00	22 - 11	1WD-F4376-00	23 - 53	1WD-F5875-00	30 - 18	1WD-F7445-00	31 - 15	1WD-F8483-00	33 - 25	1WD-H3378-00	43 - 25

NUMERICAL INDEX

PART NO.	REF. NO.	PART NO.	REF. NO.	PART NO.	REF. NO.	PART NO.	REF. NO.	PART NO.	REF. NO.	PART NO.	REF. NO.
1WD-H3500-00	38 - 1	1WD-XF83F-10-P2	33 - 8	90111-06117	23 - 25	90183-05807	34 - 6	90269-06081	18 - 19	90387-10010	31 - 6
1WD-H3519-00	38 - 5	1WD-XF83F-20-P1	33 - 8		34 - 41		34 - 12		18 - 34	90387-17810	27 - 2
1WD-H3559-00	33 - 3	1WD-XF83L-20-P1	34 - 1		34 - 47		34 - 34		19 - 9	90387-20814	14 - 24
1WD-H3571-00	38 - 2	1WD-XF83L-30-P0	34 - 1		40 - 2		40 - 5		19 - 19	90401-10812	30 - 16
1WD-H3572-00	38 - 3	1WD-XF83L-30-P2	34 - 1	90111-06119	20 - 13	90183-06011	9 - 18		19 - 23		32 - 23
54P-H3591-00	43 - 6	1WD-XF83M-20-P1	34 - 7	90111-06121	32 - 20	90183-06815	34 - 35		19 - 26	90401-20008	7 - 12
1WD-H3755-00	43 - 9	1WD-XF83M-30-P0	34 - 7	90111-06137	18 - 8	90183-06818	9 - 7		33 - 17	90430-06014	4 - 8
1WD-H3912-00	41 - 11	1WD-XF83M-30-P2	34 - 7	90111-06152	9 - 26		17 - 21		34 - 13		5 - 16
1WD-H3922-00	30 - 8	1WD-XH250-00	42 - 24	90111-06802	9 - 6	90201-04028	43 - 20		34 - 53		10 - 11
1WD-H395W-00	41 - 3	90105-06027	1 - 3	90111-06847	9 - 11	90201-04804	40 - 14	90280-05013	35 - 6	90430-08119	1 - 6
45P-H395W-00	41 - 6	90105-07800	4 - 4	90111-08815	26 - 2	90201-05036	39 - 8	90282-04036	2 - 17	90430-08143	11 - 4
1WD-H3972-00	41 - 1	90105-088F7	10 - 6		28 - 2	90201-05043	43 - 29	90338-05010	29 - 4	90430-10804	43 - 7
1WD-H3975-00	41 - 4	90105-088F8	2 - 16	90116-10065	27 - 14	90201-05827	38 - 8		29 - 8	90445-217G3	31 - 8
1WD-H4300-00	39 - 1	90105-088G0	10 - 7	90119-05020	23 - 32	90201-06072	6 - 14		33 - 30	90450-28001	6 - 7
1WD-H4303-00	39 - 3	90105-088G7	9 - 21		23 - 39	90201-06088	9 - 17	90338-09012	30 - 14	90450-55804	8 - 4
1WD-H4314-00	39 - 2	90105-106A7	31 - 5	90119-06810	19 - 10	90201-06380	23 - 9		41 - 21	90462-08225	11 - 24
1WD-H4340-00	39 - 5	90105-10883	2 - 8		19 - 20		23 - 15	90338-16262	10 - 2	90462-08806	11 - 20
1WD-H4347-00	39 - 6		35 - 4		34 - 27		34 - 30	90338-23801	17 - 16	90462-08810	7 - 18
1WD-H4397-00	39 - 4	90105-10889	17 - 12	90123-08083	41 - 18	90201-08083	32 - 17	90340-12808	7 - 14	90462-08812	11 - 19
1WD-H4547-00	40 - 10	90105-10891	17 - 13	90149-10804	26 - 13	90201-08612	9 - 22	90340-12813	1 - 4	90464-12015	17 - 23
1WD-H4710-00	40 - 1	90105-12093	20 - 15	90150-05023	33 - 13	90201-10021	16 - 19	90340-32819	11 - 5	90464-14803	42 - 20
1WD-H4726-00	40 - 11	90105-12309	20 - 8	90151-03005	41 - 17		31 - 26	90387-05042	40 - 16	90464-16003	41 - 7
1WD-H4740-00	40 - 8	90105-14102	21 - 7	90159-06054	24 - 13	90201-10118	30 - 17	90387-06242	20 - 12	90464-16012	23 - 54
1WD-H4744-00	40 - 9	90109-05003	18 - 32	90160-04009	43 - 19		32 - 24	90387-06299	23 - 8	90464-22800	42 - 21
1WD-H4753-00	40 - 12	90109-060G4	42 - 23	90160-05810	19 - 39	90201-10119	7 - 6		23 - 14	90464-30001	41 - 8
3C1-H5130-00	43 - 27	90109-063F1	18 - 15	90170-06023	16 - 14	90201-102R1	2 - 9	90387-064W3	6 - 15	90464-30009	17 - 22
1WD-H5546-00	43 - 2	90109-06577	30 - 10	90170-18221	13 - 11		35 - 5	90387-066J9	18 - 28	90464-36800	42 - 18
1WD-H5752-00	23 - 45	90109-06898	1 - 14	90179-05849	33 - 2	90201-10843	13 - 16	90387-067V1	40 - 3	90464-70800	42 - 19
1WD-H591A-00	43 - 1	90109-06899	1 - 23	90179-07652	2 - 4	90201-10845	1 - 9	90387-06857	19 - 30	90467-08003	19 - 35
1WD-H592A-00	43 - 8	90109-085G6	31 - 17	90179-08316	41 - 19	90201-127E1	16 - 7	90387-06899	19 - 5	90467-09006	23 - 57
4C9-W0048-00	26 - 6		31 - 30	90179-10805	17 - 14	90201-16812	2 - 19		19 - 15	90467-110A3	8 - 34
5YP-W0048-50	28 - 8	90110-05806	23 - 19	90179-20013	14 - 33	90201-17809	27 - 23		23 - 24	90467-12052	8 - 39
1WD-WF461-00	23 - 18	90110-06161	4 - 13	90179-25615	21 - 3	90201-20023	14 - 32		23 - 31	90467-12085	32 - 14
1WD-WF479-00	24 - 11		4 - 15	90183-05076	18 - 16	90201-20276	14 - 25		23 - 38	90467-13802	8 - 38
1WD-XF11W-10-P0	34 - 15		12 - 5	90183-050A7	18 - 23	90201-22013	13 - 12		34 - 18		8 - 41
1WD-XF11W-20-P0	34 - 15	90110-06182	15 - 11		19 - 3	90202-05180	34 - 38		34 - 24	90467-15012	23 - 52
1WD-XF11X-10-P0	34 - 21	90110-06870	1 - 10		19 - 13		34 - 44		34 - 39	90467-16800	1 - 35
1WD-XF11X-20-P0	34 - 21	90110-08071	31 - 39		33 - 7	90202-26142	21 - 4		34 - 45	90467-16801	1 - 32
1WD-XF151-20-P0	18 - 1		31 - 47		34 - 5	90206-14001	16 - 18	90387-068C2	33 - 29		1 - 34
1WD-XF151-20-P2	18 - 1	90111-05003	19 - 37		34 - 11	90209-25011	14 - 15	90387-068C5	18 - 3	90467-250A1	6 - 6
1WD-XF151-30-P1	18 - 1		19 - 41		34 - 17	90214-22008	14 - 3	90387-068L0	18 - 7	90480-01558	23 - 21
1WD-XF171-20-P0	19 - 1		19 - 43		34 - 23		14 - 20	90387-068L9	18 - 29		34 - 14
1WD-XF171-20-P2	19 - 1		33 - 18	90183-05807	19 - 2	90215-18800	13 - 10	90387-068N4	9 - 16		34 - 19
1WD-XF171-30-P1	19 - 1		34 - 37		19 - 12	90240-08124	32 - 16	90387-07819	17 - 19		34 - 25
1WD-XF172-20-P0	19 - 11		34 - 43		23 - 27	90240-08145	31 - 13	90387-087L0	9 - 10	90480-01559	23 - 35
1WD-XF172-20-P2	19 - 11	90111-05018	18 - 25		23 - 33		31 - 22		9 - 25		23 - 42
1WD-XF172-30-P1	19 - 11	90111-05021	18 - 22		23 - 40		31 - 37	90387-08813	17 - 29	90480-10003	40 - 6
1WD-XF83F-10-P0	33 - 8	90111-06013	31 - 16		33 - 11		31 - 45		31 - 49	90480-11009	40 - 15

NUMERICAL INDEX

PART NO.	REF. NO.	PART NO.	REF. NO.	PART NO.	REF. NO.	PART NO.	REF. NO.	PART NO.	REF. NO.	PART NO.	REF. NO.
90480-12581	9 - 9	91317-08020	29 - 2	93440-24200	14 - 4	95602-16200	27 - 22	98902-05020	8 - 31		
	9 - 24		29 - 6		14 - 21	95607-08200	9 - 27	99002-07600	13 - 21		
90480-12808	19 - 4	91317-08030	21 - 8	93440-28184	14 - 16	95612-08625	1 - 7	99009-08400	5 - 11		
	19 - 14	91317-10020	17 - 26	93440-52009	14 - 9	95702-06500	18 - 12	99009-10400	7 - 5		
	23 - 23	91317-10045	17 - 27	93450-16068	2 - 14		30 - 19		13 - 17		
	23 - 30	91317-10060	17 - 10	93501-04830	31 - 35		34 - 29	99009-12400	16 - 6		
	23 - 37	91401-20012	32 - 18		31 - 43	95707-06500	24 - 9	99009-15500	7 - 2		
	34 - 20	91401-25015	31 - 14	93605-10090	2 - 21	95707-08500	9 - 20	99530-08012	7 - 7		
	34 - 26		31 - 23	93900-00828	25 - 6	95802-06010	31 - 29		11 - 8		
	34 - 40		31 - 38		27 - 17	95802-06016	43 - 14		11 - 11		
	34 - 46		31 - 46	94111-17801	25 - 5	95802-06025	43 - 16	99530-10014	10 - 5		
90480-12815	18 - 2	92012-06012	29 - 18	94114-17802	27 - 16	95802-08012	43 - 24	99530-14016	1 - 13		
90480-13001	40 - 4		29 - 23	94568-H3112	27 - 29	95807-06016	43 - 26		1 - 29		
90480-13398	17 - 18	92012-08030	32 - 19	94591-61118	4 - 5	95812-06012	23 - 11				
90480-14004	38 - 6	92014-08012	11 - 3	94700-00318	1 - 11	95812-06035	10 - 8				
	39 - 7	92902-08600	13 - 20	95022-06008	4 - 7	95812-06045	10 - 9				
90480-15807	23 - 13		27 - 26	95022-06010	38 - 9	95812-06065	10 - 10				
90480-15808	6 - 16	92902-10200	17 - 11	95022-06012	24 - 4	95812-08035	33 - 22				
90480-15809	18 - 4	92907-10600	17 - 28		34 - 49	95817-10025	31 - 3				
90501-06022	15 - 3	93101-20802	14 - 11	95022-06014	17 - 20	95822-06010	8 - 36				
90501-080A2	15 - 8		14 - 27	95022-06020	6 - 3	95822-06025	23 - 10				
90501-12743	31 - 34	93102-12891	16 - 10		42 - 4		23 - 16				
	31 - 42	93102-15801	5 - 5	95022-06025	5 - 17	95827-06014	32 - 26				
90501-22800	2 - 20	93102-35803	14 - 30		7 - 17	95827-06025	6 - 13				
90506-23812	31 - 4	93106-23002	27 - 4		11 - 9	97012-06020	16 - 20				
90506-26807	31 - 27	93106-26815	25 - 3		11 - 12	97507-06525	41 - 20				
90508-18136	13 - 18	93106-38046	27 - 8		11 - 18	97602-04212	30 - 12				
90508-183B9	31 - 12	93210-068F7	10 - 13		11 - 23	97702-30016	38 - 4				
	31 - 21	93210-108H5	41 - 14		36 - 7	97702-50016	24 - 14				
90508-29806	16 - 5	93210-12803	10 - 3	95022-06050	11 - 13		33 - 6				
90520-03823	23 - 3	93210-15620	32 - 7	95022-08012	1 - 5		38 - 7				
91312-05008	42 - 15	93210-16716	1 - 28	95022-08014	23 - 17	97702-50025	8 - 28				
91312-05010	23 - 20	93210-21801	43 - 4	95027-06010	9 - 3	97707-40020	40 - 13				
	23 - 48	93210-27807	5 - 20	95027-06025	30 - 13	97707-50012	23 - 26				
	29 - 21	93210-32816	11 - 6	95027-06045	18 - 9		23 - 34				
91312-05012	11 - 2	93210-39802	8 - 2	95027-08035	9 - 15		23 - 41				
91312-06010	5 - 13	93306-20314	27 - 3	95302-06600	16 - 15	97707-50016	18 - 24				
91312-06016	8 - 3	93306-255Y9	14 - 8	95302-08600	27 - 27		19 - 22				
	43 - 10	93306-302X4	25 - 4	95602-05100	43 - 28		19 - 25				
91312-06020	1 - 22	93306-30450	27 - 7	95602-06100	30 - 9		19 - 28				
	4 - 10	93311-420Y3	14 - 10		41 - 15		34 - 28				
91312-06025	11 - 15		14 - 26	95602-06200	18 - 30		34 - 33				
91312-06030	7 - 8	93315-21570	5 - 4	95602-10200	27 - 15		34 - 52				
	35 - 3	93317-11096	5 - 3		31 - 7		34 - 55				
91317-06016	29 - 3	93317-11295	16 - 9	95602-12100	20 - 10		39 - 9				
	29 - 7	93320-32403	20 - 5		20 - 16	98502-05016	43 - 5				
91317-06020	29 - 15	93399-99932	22 - 37	95602-14200	20 - 6	98502-06012	8 - 11				
91317-06025	33 - 28	93399-999Y3	21 - 1		25 - 10	98507-05012	29 - 20				